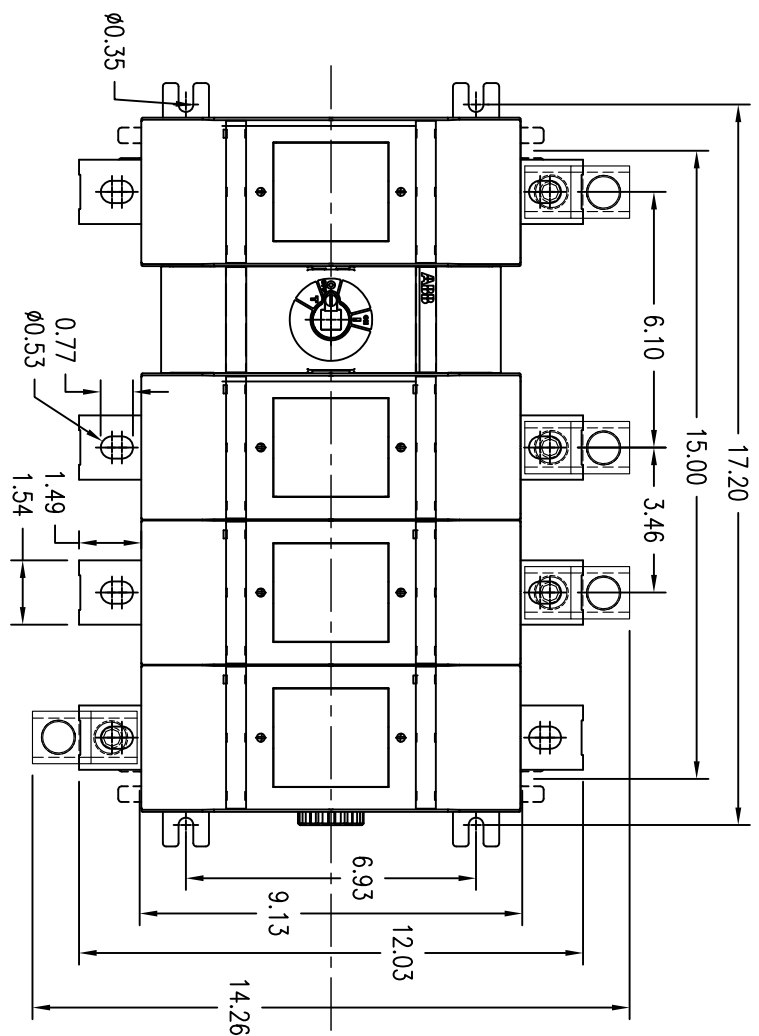
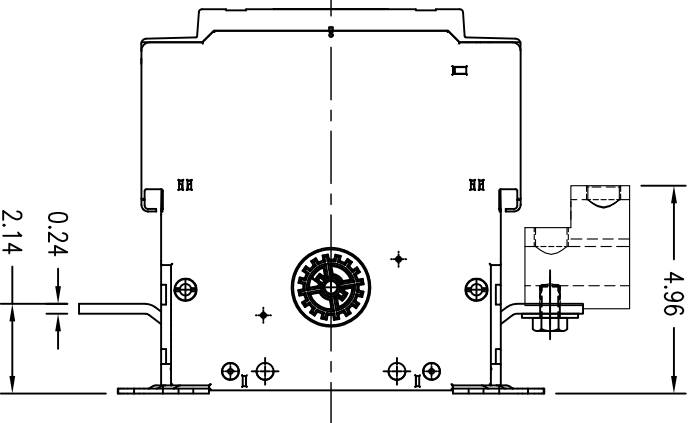


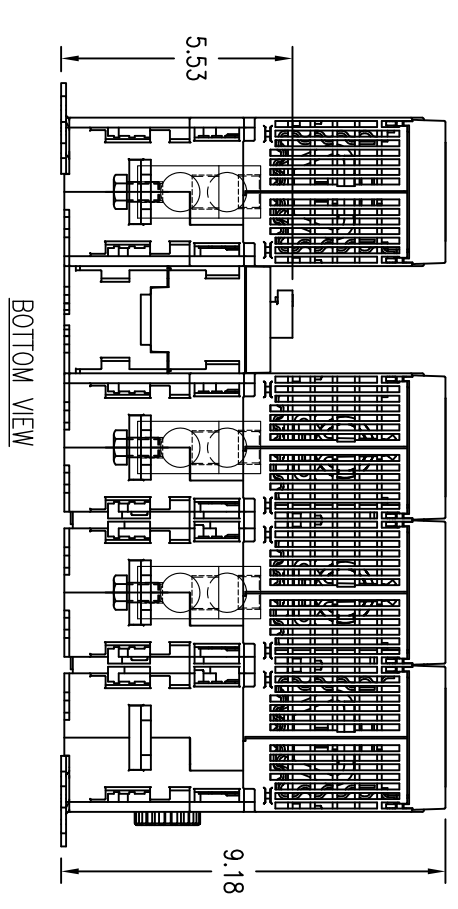
DRAWING NUMBER
D 2501 8014-024



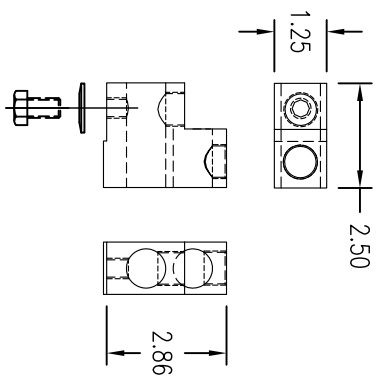
FRONT VIEW



RIGHT SIDE VIEW



BOTTOM VIEW



Short Circuit Rating at 600VAC		
KA	Fuse/A	Fuse class
200	800	L

3-phase HP Ratings		
VAC	240	480
HP	250	500

Accessories:

Operating Handle
 OHB200J12 - Type 1, 3R, 12
 OHB200L12 - Type 1, 3R, 4, 4X, 12
 Ref. drawing D 2501 8001-014 for
 t-style grip handle dimensions and
 installation details.

Terminal Lug Kits

OZXA-800 - 8 lugs
 OZXA-800/3 - 4 lugs

Wire Range:
 (2) #2 AWG - 600kcmil
 AL7CU, UL Listed


Operating Shaft - Max. encl. depth

OXP12X280 - 15.20 in.
 OXP12X325 - 17.00 in.
 OXP12X395 - 19.70 in.
 OXP12X465 - 22.40 in.
 OXP12X355 - 25.20 in.

Auxiliary Contacts

OATG10 - 1n.o.
 OASG01 - 1n.c.
 OEA28 - Module for contacts

CUST / SHOP

DO NOT SCALE DRAWING		THIS DRAWING IS THE PROPERTY OF ABB Inc. AND CONTAINS PROPRIETARY AND CONFIDENTIAL INFORMATION WHICH MUST NOT BE OR REPRODUCED, COPIED, DISCLOSED, ORDERED, OR USED IN ANY MANNER WITHOUT THE EXPRESS AUTHORIZATION BY ABB Inc.	
SCALE FULL	DIMENSIONS ARE IN INCHES		DATE 11/3/2011
STANDARD TOLERANCES 2 PL DEC. ±.030 3 PL DEC. ±.030 ANGLES ±1°			DRAWN F. GARCIA
FINISH:		CHK'D	REV. A
REVISIONS		APPR'D	TITLE OS800L13
REV. LET.	DATE	SHEET 1 OF 1	SIZE DRAWING NUMBER D 2501 8014-024