

DRAWING NUMBER
D 2501 8012-008

OS600J02
600VAC 600A 2-Pole
Class J Fused Open Type Switch
Rotary operated
cULus Listed, 97C2
Open Type Switch
UL File #E101914

Short Circuit Rating at 600VAC		
kA	Fuse/AI	Fuse class
200	600	J

3-phase HP Ratings			
VAC	240	480	600
HP	200	400	500

Accessories:

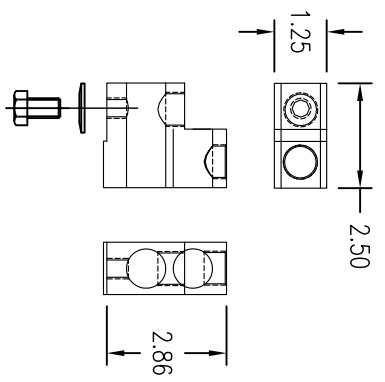
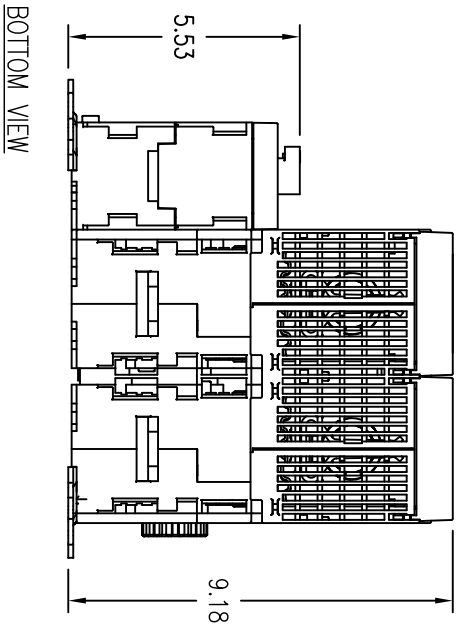
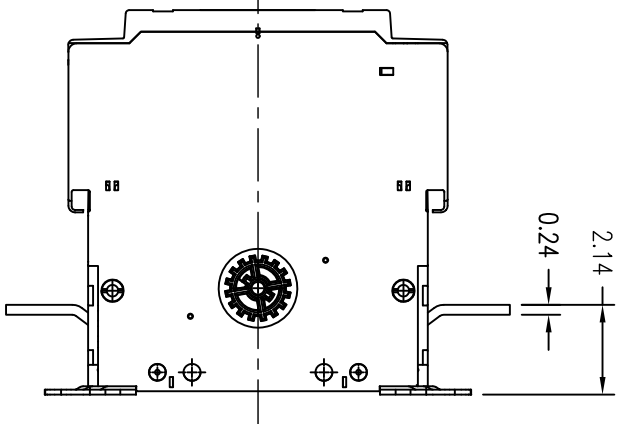
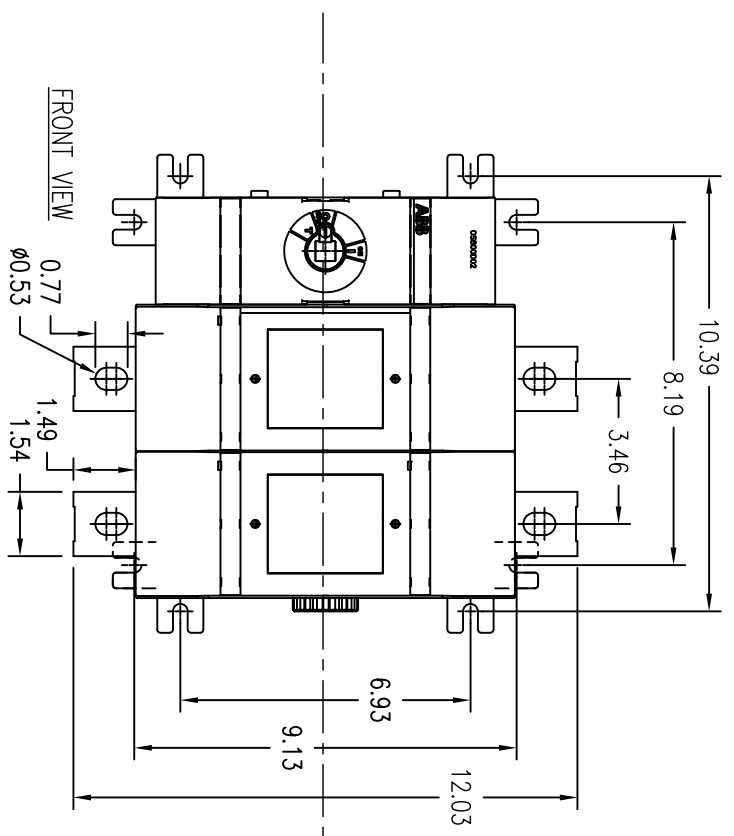
Operating Handle
OHB175J12 - Type 1, 3R, 12
OHB175L12 - Type 1, 3R, 4, 4X, 12
Ref. drawing D 2301 8001-001 for
pistol grip handle dimensions and
installation details.

Terminal Lug Kits
OZXA-800 - 4 lugs

Wire Range:
(2) #2 AWG - 600kcmil
AL7CU, UL Listed

Operating Shaft - Max. encl. depth
 OXP12X220 - 12.00 in.
 OXP12X280 - 14.50 in.
 OXP12X325 - 16.30 in.
 OXP12X395 - 19.10 in.
 OXP12X465 - 21.80 in.
 OXP12X625 - 28.10 in.

Auxiliary Contacts
 OATG10 - 1n.o.
 OASG01 - 1n.c.
 OEA28 - Module for aux. contacts



REV. LET.	REVISIONS	DATE	REV OR APPD BY	THIS DRAWING IS THE PROPERTY OF ABB Inc. AND CONTAINS PROPRIETARY AND CONFIDENTIAL INFORMATION WHICH MUST NOT BE REPRODUCED OR DISCLOSED OTHER THAN EXPRESSLY AUTHORIZED BY ABB Inc.	ABB Inc.	DATE 08/03/11	REV. A	TITLE OS600J02 2-Pole Class J Fused Open Type Switch
						DRAWN DO REYES	SIZE A	DRAWING NUMBER D 2501 8012-008
						CHK'D		
						PROJECT NO.		
						SHEET 1 OF 1		