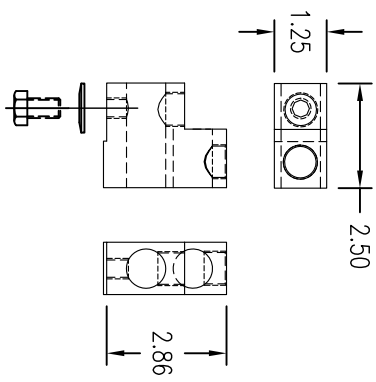
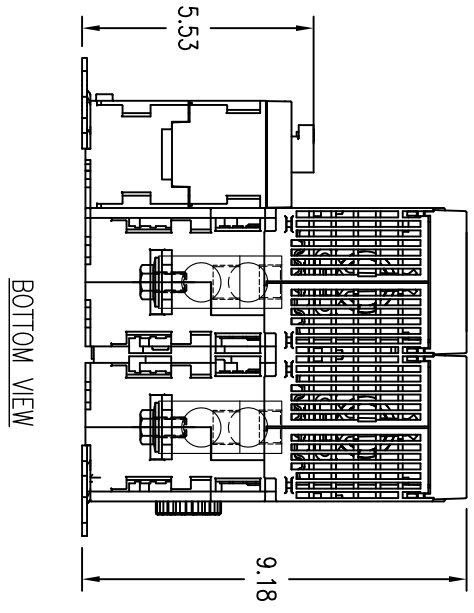
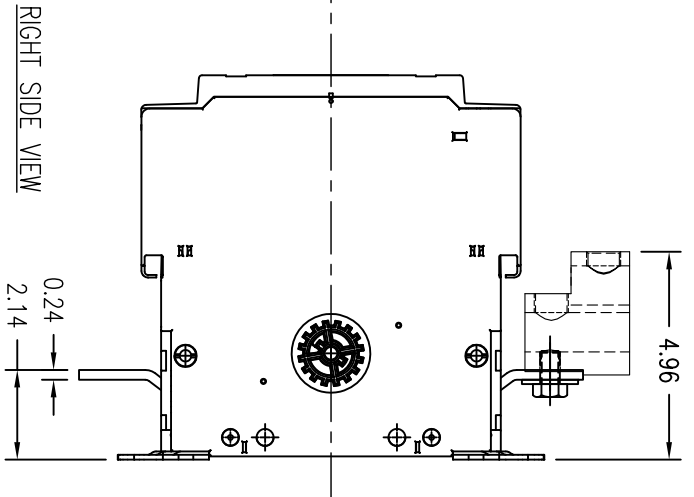
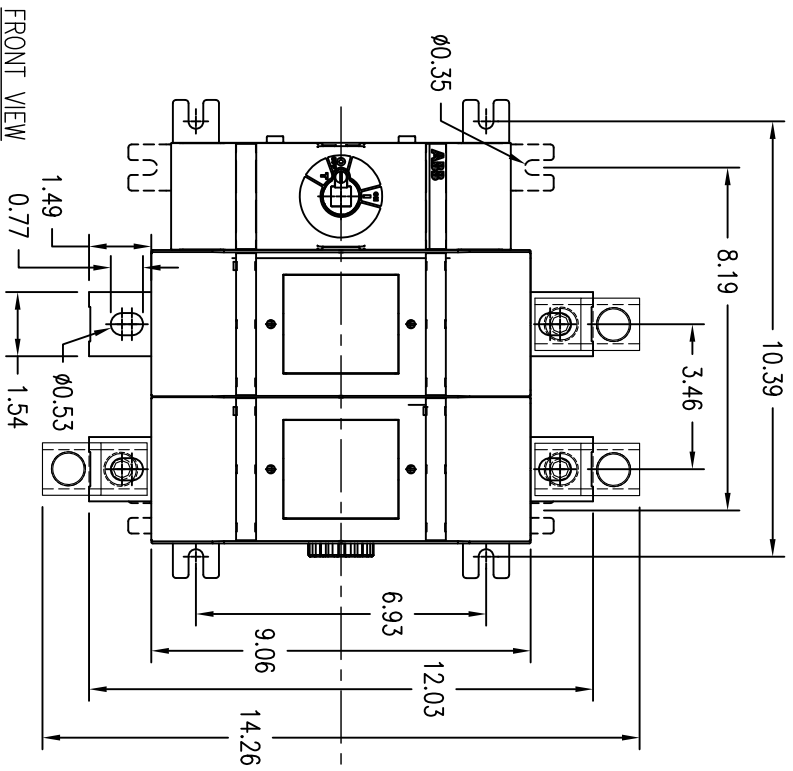


DRAWING NUMBER
D 2501 8012-009



OS800L02
600VAC 800A 2-Pole
Class L Fused Open Type Switch
Rotary operated
cULus Listed, 97C2
Open Type Switch
UL File #E101914

Short Circuit Rating at 600VAC		
KA	Fuse/A	Fuse class
200	800	L

3-phase HP Ratings			
VAC	240	480	600
HP	250	500	500

Accessories:

Operating Handle
OHB200J12 - Type 1, 3R, 12
OHB200L12 - Type 1, 3R, 4, 4X, 12
Ref. drawing D 2501 8001-014 for
t-style grip handle dimensions and
installation details.

Terminal Lug Kits

OZXA-800 - 4 lugs
OZXA-800/3 - 2 lugs

Wire Range:
(2) #2 AWG - 600kcmil
AL7CU, UL Listed

Operating Shaft - Max. encl. depth

OXp12X280 - 15.20 in.
OXp12X325 - 17.00 in.
OXp12X395 - 19.70 in.
OXp12X465 - 22.40 in.
OXp12X355 - 25.20 in.

Auxiliary Contacts

OATG10 - 1n.o.
OASG01 - 1n.c.
OEA28 - Module for contacts

CUST / SHOP

DO NOT SCALE DRAWING		THIS DRAWING IS THE PROPERTY OF ABB Inc. AND CONTAINS PROPRIETARY AND CONFIDENTIAL INFORMATION WHICH MUST NOT BE OR REPRODUCED, COPIED, OR DISCLOSED WITHOUT THE AUTHORIZED BY ABB Inc.	
SCALE FULL	DIMENSIONS ARE IN INCHES		
Material:	Finish:		
STANDARD TOLERANCES ANGLES ±1°			
2 PL DEC. ±.030	3 PL DEC. ±.030	REV OR APPD BY	DATE
REVISIONS	DATE	REV OR APPD BY	DATE
REV. LET.			

ABB Inc.

DATE	11/3/2011	REV.	A	TITLE	OS800L02
DRAWN	F. GARCIA	SIZE	A	2-POLE FUSIBLE OPEN TYPE SWITCH	
CHK'D		DRAWING NUMBER			
APP'R/D		D 2501 8012-009			
SHEET	1 of 1				