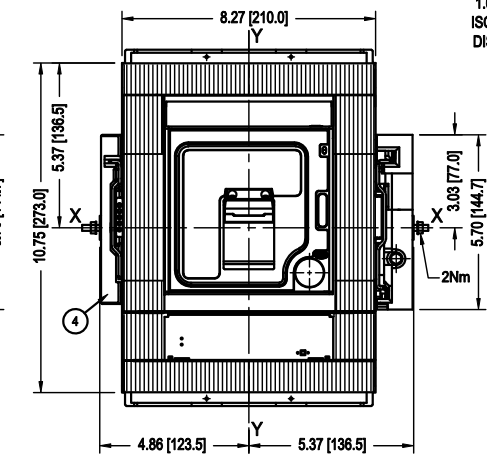
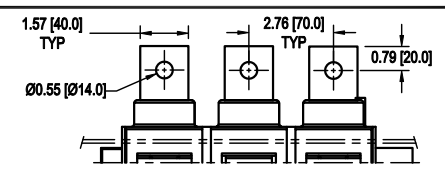
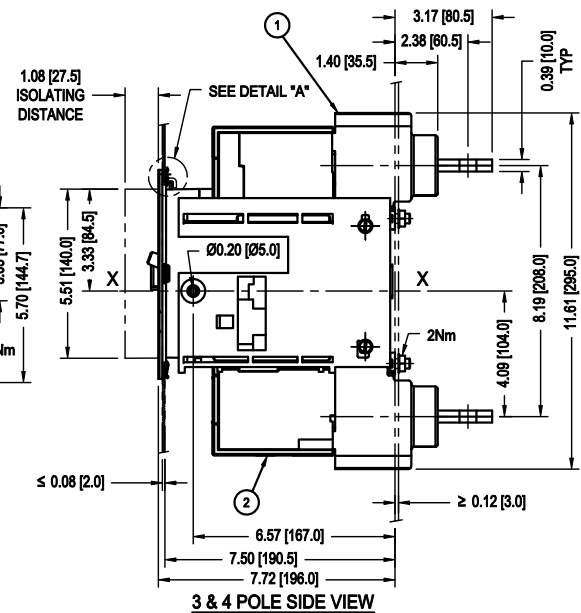


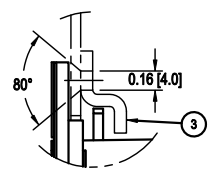
4 POLE FRONT VIEW



3 POLE FRONT VIEW

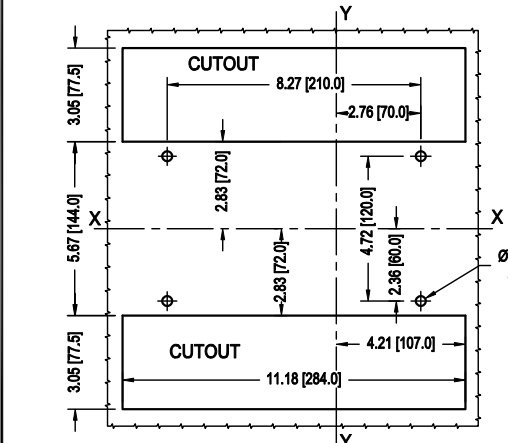


3 & 4 POLE SIDE VIEW



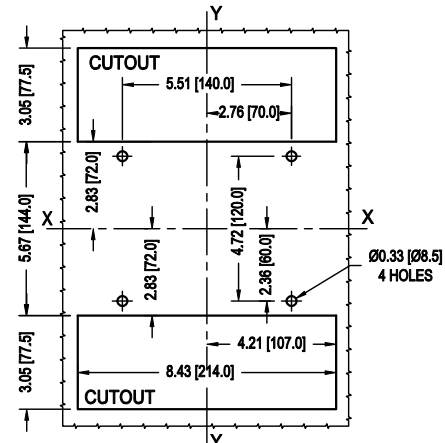
DETAIL "A"

- CAPTION:
- 1 - FIXED PART
 - 2 - MOVING PART
 - 3 - LOCK FOR COMPARTMENT DOOR
 - 4 - OVERALL DIMENSIONS WITH CABLED ACCESSORIES MOUNTED (SOR-C, UVR-C)
 - 5 - DOOR HINGE

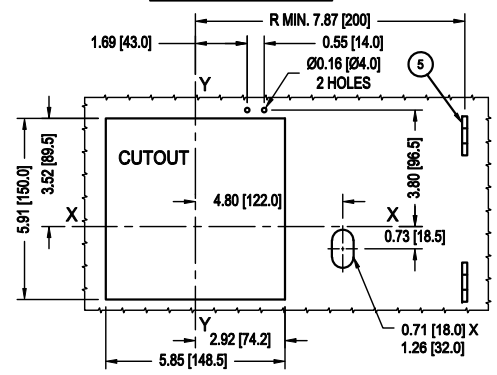


4 POLE

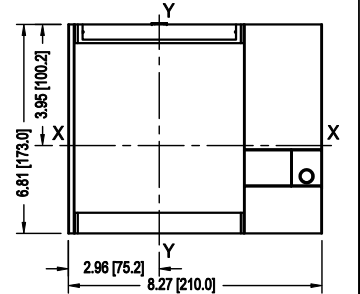
DRILLING TEMPLATE FOR SUPPORT SHEET



3 POLE



COMPARTMENT DOOR DRILLING TEMPLATE



FLANGE FOR COMPARTMENT DOOR

REV. LET.	REVISIONS	DATE	REV. OR APPD. BY	REV. LET.	REVISIONS	DATE	REV. OR APPD. BY

THIS DRAWING IS THE PROPERTY OF ABB Inc. AND CONTAINS PROPRIETARY AND CONFIDENTIAL INFORMATION WHICH MUST NOT BE DUPLICATED, USED OR DISCLOSED OTHER THAN EXPRESSLY AUTHORIZED BY ABB Inc.



DATE 10/2/8/08
DRAWN BY JLS
CHK'D
PROJECT NO.
SHEET 1 of 1

REV. A
TITLE TMAX T6 WITHDRAWABLE 3 AND 4 POLES W/ HORIZ REAR TERMINALS
SIZE B
DRAWING NUMBER D 2202 9000-032