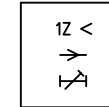
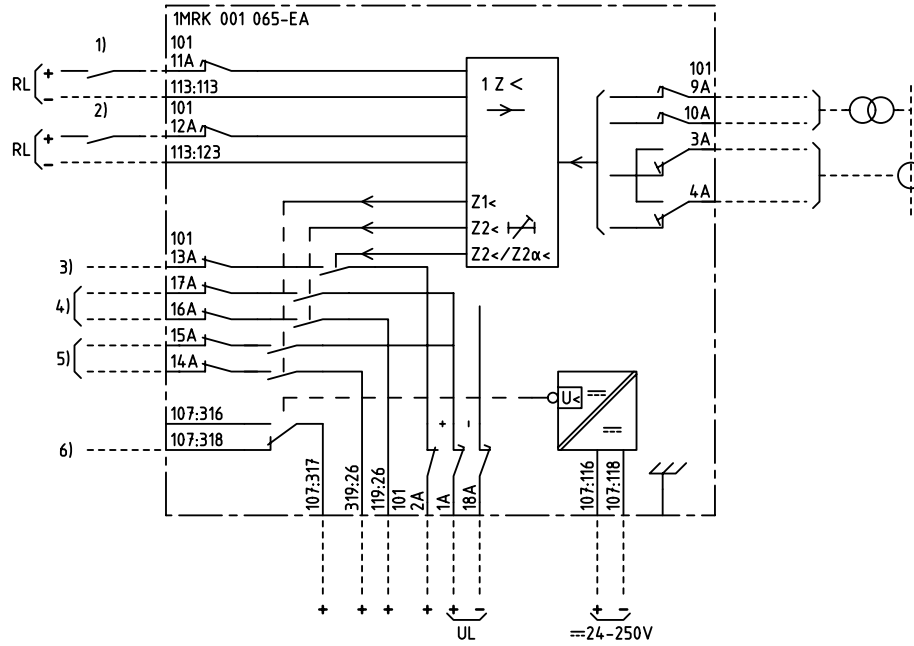


We reserve all rights in this document and in the information contained therein. Reproduction, use for other than intended purposes, or distribution without the written permission of ABB Network Partner AB is strictly forbidden.



1-PH UNDERIMPEDANCE PROTECTION
 DELAYED
 1-FAS UNDERIMPEDANDSSKYDD
 FÖRDRÖJT

- 1) BLOCKING OF ALL THE FUNCTIONS EXCEPT Z2α<, FUNCTION Z2< CHANGES TO AN INSTANTANEOUS FUNCTION.
 BLOCKERING AV ALLA FUNKTIONER UTOM Z2α<, FUNKTION Z2< ÄNDRAS TILL MOMENTAN FUNKTION.
- 2) RESETTING OF INDICATION
 ÅTERSTÄLLNING AV INDIKERING
- 3) UNDERIMPEDANCE Z2</Z2α<, START
 UNDERIMPEDANS Z2</Z2α<, START
- 4) UNDERIMPEDANCE Z2<, TRIPPING
 UNDERIMPEDANS Z2<, UTLÖSNING
- 5) UNDERIMPEDANCE Z1<, TRIPPING
 UNDERIMPEDANS Z1<, UTLÖSNING
- 6) LOSS OF AUXILIARY VOLTAGE
 BORTFALL AV HJÄLPSPÄNNING

ELCAD ID PS/render

DATE 2004-06-230:16

Issued in ARCADE

Prepared 97-09-30 H RAZA/JE		TERMINAL DIAGRAM/UTTAGSSCHEMA		Resp dep PS		Rev ind 1 97.45		Lang 82	
Approved 97-10-13 P JENÄKER		RAZK 221 1-PHASE UNDERIMPEDANCE PROT.		Sheet 1		Cont		1	
Rev Ind		Revision		Reg No 7411		Pcl 890.557		Based on	
1		2		3		4		5	

ABB ABB Network Partner AB

1MRK 001 065-EAA