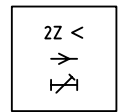
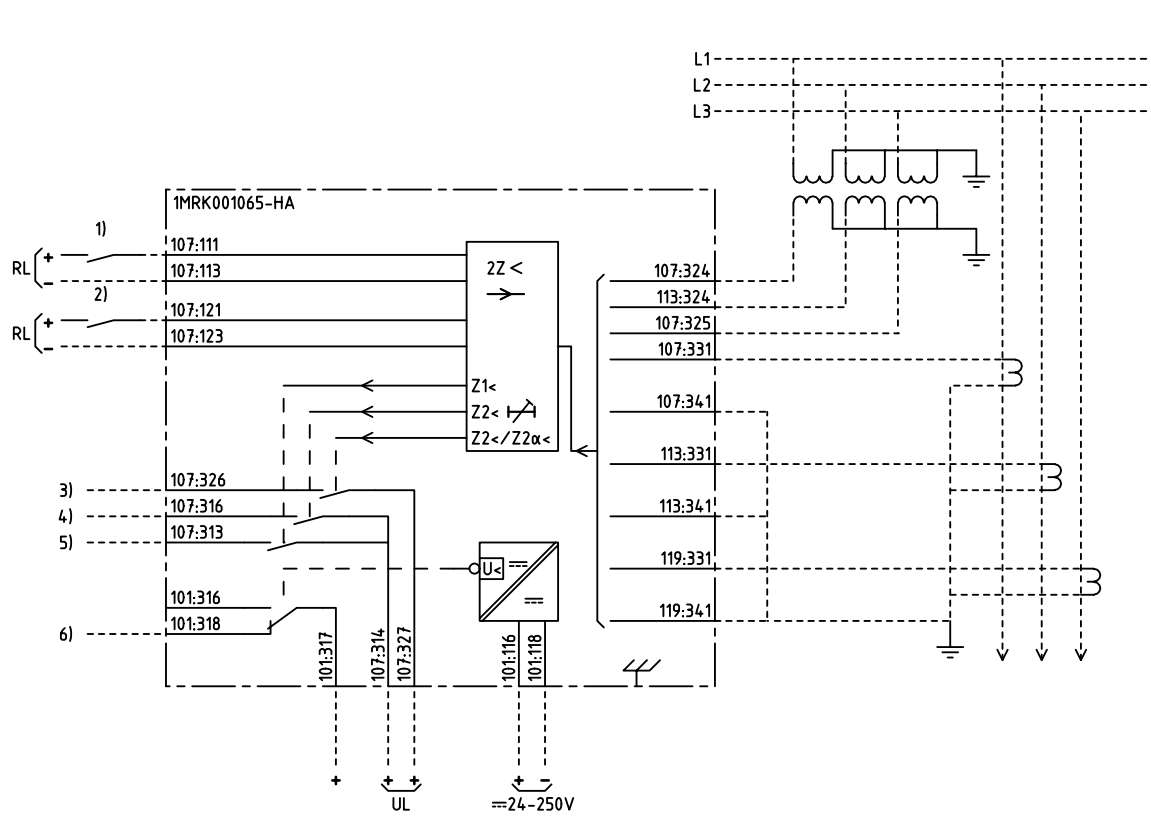
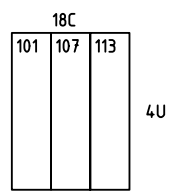


We reserve all rights in this document and in the information contained therein. Reproduction, use for other than intended purposes, or distribution without the written permission of ABB Automation Technologies AB is strictly forbidden.



2-PH UNDERIMPEDANCE PROTECTION DELAYED



101 RXTUG 22H
107,113 RXZK 21H

- 1) BLOCKING OF ALL THE FUNCTIONS EXCEPT Z2α<, FUNCTION Z2< CHANGES TO AN INSTANTANEOUS FUNCTION.
- 2) RESETTING OF INDICATION
- 3) UNDERIMPEDANCE Z2</Z2α<, START
- 4) UNDERIMPENANCE Z2<, TRIPPING
- 5) UNDERIMPEDANCE Z1<, TRIPPING
- 6) LOSS OF AUXILIARY VOLTAGE

Customer drw no	Prep. PTUA/ TPTD Eriksson Jill 2000-11-24	Connection Diagram		Conf. sh/ No of sh
	Appr. PTUA/ TATD Karlsson Roger 2001-03-27	2-phase underimpedance protection		
	Resp. dept PTUA/ TPTD	Document number	Lang.	Rev.
Based on	ABB ABB Automation Technologies	1MRK001065-HAA	en	-
				Sheet 1

Document status: Approved