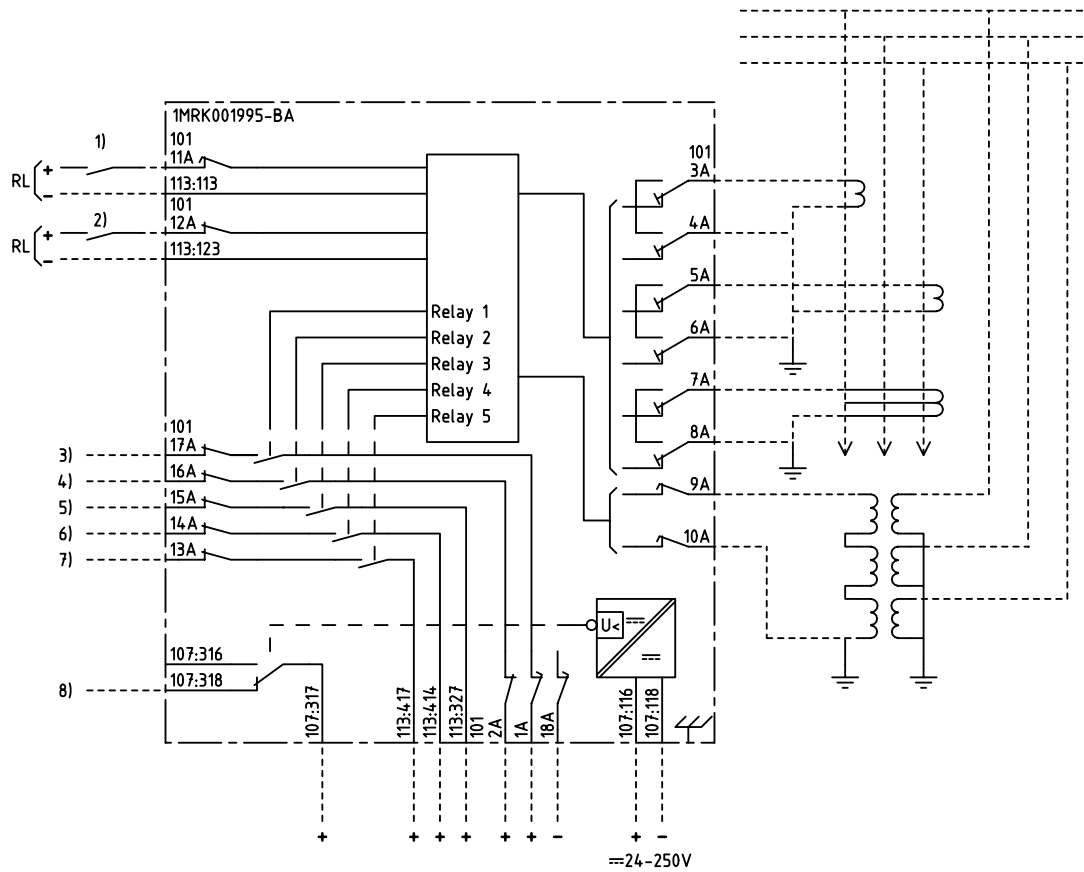
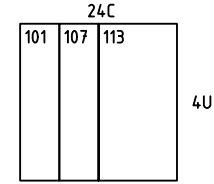


We reserve all rights in this document and in the information contained therein. Reproduction, use or distribution of this document or the information it contains is strictly forbidden. © ABB Automation Technologies AB



**MULTI-FUNCTION OVERCURRENT AND DIR. EARTH-FAULT PROTECTION**



- 101 RTXP 18
- 107 RXTUG 22H
- 113 RXHL 422

- 1), 2) BINARY INPUT, PROGRAMMABLE
- 3)-7) RELAY OUTPUTS 1-5, PROGRAMMABLE FUNCTION
- 8) LOSS OF AUXILIARY VOLTAGE

PROGRAMMABLE FUNCTIONS FOR BINARY INPUTS:  
 BLOCKING/ENABLING I>, I>>, I>>>, DIR IN>, DIR IN>>, DIR IN>>>;  
 THERMAL RESET 0, BREAKER FAILURE EXTERNAL START,  
 ALTERNATIVE SETTINGS; RESET OF LED INDICATIONS.

PROGRAMMABLE FUNCTIONS FOR BINARY OUTPUTS:  
 START AND TRIP I>, I>>, I>>>, DIR IN>, DIR IN>>, DIR IN>>>;  
 THERMAL ALARM 0; THERMAL TRIP 0;  
 BREAKER FAILURE RE-TRIP; BREAKER FAILURE BACK-UP TRIP;  
 ALTERNATIVE SETTINGS; IN SERVICE

BINARY INPUT OPTIONS:  
 CIRCUIT-BREAKER CLOSED; CIRCUIT-BREAKER READY;  
 BLOCKING OF AUTORECLOSING; AUTORECLOSING EXTERNAL ON.

BINARY OUTPUT OPTIONS:  
 AUTORECLOSING ON; AUTORECLOSING READY;  
 AUTORECLOSING STARTED;  
 AUTORECLOSING PULSE TO CIRCUIT-BREAKER;  
 AUTORECLOSING UNSUCCESSFUL; INTENTIONAL OVERREACH TRIP.

Customer drw no	Prep. PTUA/ - H Raza/JE 2000-05-29	Connection Diagram	Conf. sh/ No of sh
	Appr. PTUA/ Roger Karlsson 2000-05-29		
	Resp. dept PTUA/ PTUA/TPTD	Document number	Lang. en
Based on	<b>ABB</b> ABB Automation Technologies	<b>1MRK001995-BAA</b>	Rev. A
			Sheet 1

Document status: Approved