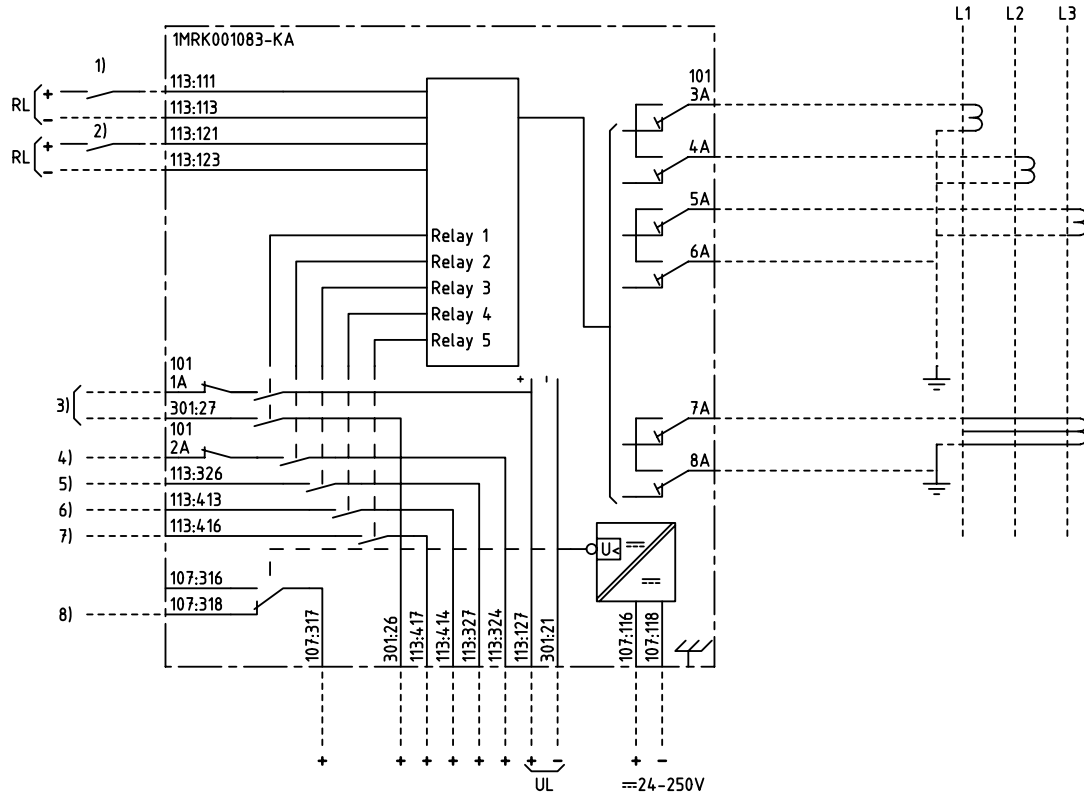
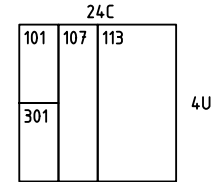


We reserve all rights in this document and in the information contained therein. Reproduction, use for other than intended purposes, or distribution without the written permission of ABB Automation Technologies AB is strictly forbidden.



MULTI-FUNCTION CURRENT PROTECTION



101	RTXP 8
107	RXTUG 22H
113	RXHL 411
301	RXME 18

- 1), 2) BINARY INPUT, PROGRAMMABLE
- 3)-7) RELAY OUTPUTS 1-5, PROGRAMMABLE FUNCTION
- 8) LOSS OF AUXILIARY VOLTAGE

PROGRAMMABLE FUNCTIONS FOR BINARY INPUTS:
 BLOCKING/ENABLING I>, I>>, I>>>, IN>, IN>>, IN>>>
 THERMAL RESET 0, BREAKER FAILURE EXTERNAL START;
 ALTERNATIVE SETTINGS; RESET OF LED INDICATIONS.

PROGRAMMABLE FUNCTIONS FOR BINARY OUTPUTS:
 START AND TRIP I>, I>>, I>>>, IN>, IN>>, IN>>>;
 THERMAL ALARM 0; THERMAL TRIP 0;
 BREAKER FAILURE RE-TRIP; BREAKER FAILURE BACK-UP TRIP;
 ALTERNATIVE SETTINGS; IN SERVICE

BINARY INPUT OPTIONS:
 CIRCUIT-BREAKER CLOSED; CIRCUIT-BREAKER READY;
 BLOCKING OF AUTORECLOSING; AUTORECLOSING EXTERNAL ON.

BINARY OUTPUT OPTIONS:
 AUTORECLOSING ON; AUTORECLOSING READY;
 AUTORECLOSING STARTED;
 AUTORECLOSING PULSE TO CIRCUIT-BREAKER;
 AUTORECLOSING UNSUCCESSFUL; INTENTIONAL OVERREACH TRIP.

Customer drw no	Prep. PTUA/ TPTD H Raza/JE 1999-09-27	Connection Diagram	Conf. sh/ No of sh
	Appr. PTUA/ Roger Karlsson 1999-09-27		
	Resp. dept PTUA/ TPTD	Document number	Sheet
Based on	ABB ABB Automation Technologies	1MRK001083-KAA	1
		Lang. en	Rev. 1

Document status: Approved