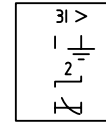
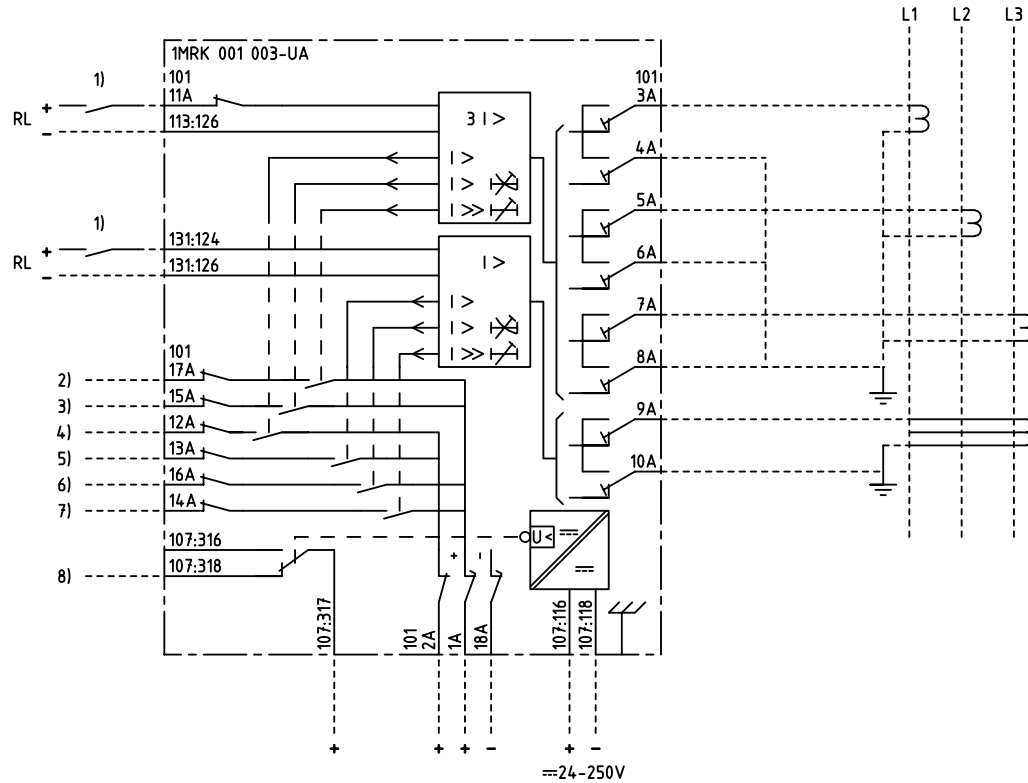


We reserve all rights in this document and in the information contained therein. Reproduction, use for other than intended purposes, without the written consent of ABB Automation Technologies AB is strictly forbidden.



3-PHASE OVERCURRENT AND EARTH-FAULT PROTECTION

3-FAS ÖVERSTRÖMS- OCH JORDFELSSKYDD

36C					
101	107	113	119	125	131
4U					

- 101 RTXP 18
- 107 RXTUG 22H
- 113,119 RXIDK 2H
- 125,131 RXIDK 2H

- 1) ENABLE, BLOCK OR INCREASED OP.VALUE FRIGIVNING, BLOCKERING ELLER ÖKAT FUNKTIONSVÄRDE
- 2) HIGH SET STAGE, TRIPPING HÖGSTRÖMSSTEG, UTLÖSNING
- 3) LOW SET STAGE, TRIPPING LÅGSTRÖMSSTEG, UTLÖSNING
- 4) START OVERCURRENT START ÖVERSTRÖM
- 5) START EARTH-FAULT START JORDFEL
- 6) LOW SET STAGE, EARTH-FAULT TRIPPING LÅGSTRÖMSSTEG, JORDFEL UTLÖSNING
- 7) HIGH SET STAGE, EARTH-FAULT TRIPPING HÖGSTRÖMSSTEG, JORDFEL UTLÖSNING
- 8) LOSS OF AUXILIARY VOLTAGE BORTFALL AV HJÄLPSPÄNNING

Customer drw no	Prep. PTUA/ TPTD H Raza/JE 1999-09-29	Connection Diagram	Issued in  ARCADE	No of sh	
	Appr. PTUA/ Roger Karlsson 1999-09-29				RAIDK 4 Overcurrent prot
	Resp. dept PTUA/ TPTD	Document number	Lang.	Rev.	Sheet
Based on	<b>ABB</b> ABB Automation Technologies	<b>1MRK001003-UAA</b>	en	2	1

Document status: Approved