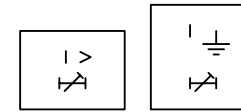
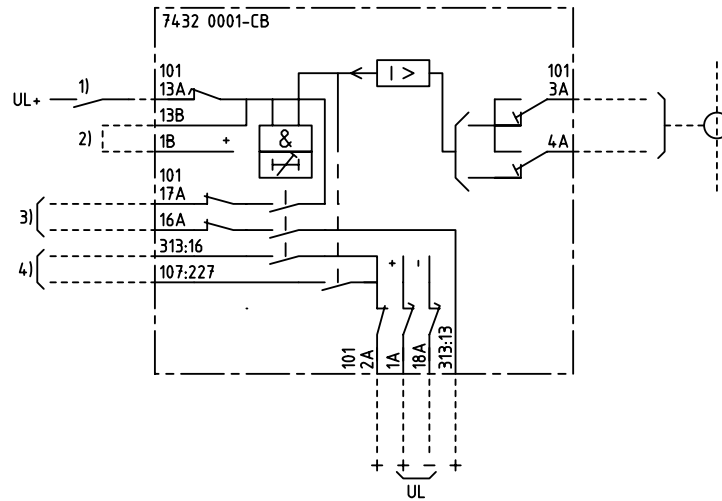


We reserve all rights in this document and in the information contained therein. Reproduction, use for other than intended purposes, without the written consent of ABB Network Partner AB is strictly forbidden.



EARTH-FAULT OR 1-PHASE
OVERCURRENT PROTECTION, DELAYED

JORDFELS- ELLER 1-FAS
ÖVERSTRÖMSSKYDD, FÖRDRÖJT

- 1) ENABLING
FRIGIVNING
- 2) CONNECTED IF ENABLING
IS NOT NEEDED
LÄGGES NÄR FRIGIVNING
EJ ERFORDRAS
- 3) TRIPPING ETC.
UTLÖSNING M.M
- 4) ALARM ETC.
SIGNAL M.M

ELCAD ID PAT/render

DATE 2004-06-2223:30

Issued in ARCADE

		Prepared 79.22	C-H EINVALL	TERMINAL DIAGRAM/UTTAGSSHEMA			
		Approved 79.22	Peter Jenøker	OVERCURRENT PROTECTION			
				ÖVERSTRÖMSSKYDD		Resp dep PAT	Rev ind 4 96.45
Rev Ind	Revision	Reg No 7432	ABB ABB Network Partner AB		7432 0001-CBA		Lang 82
Based on		Pcl 890.651					Sheet 1
							Cont