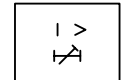
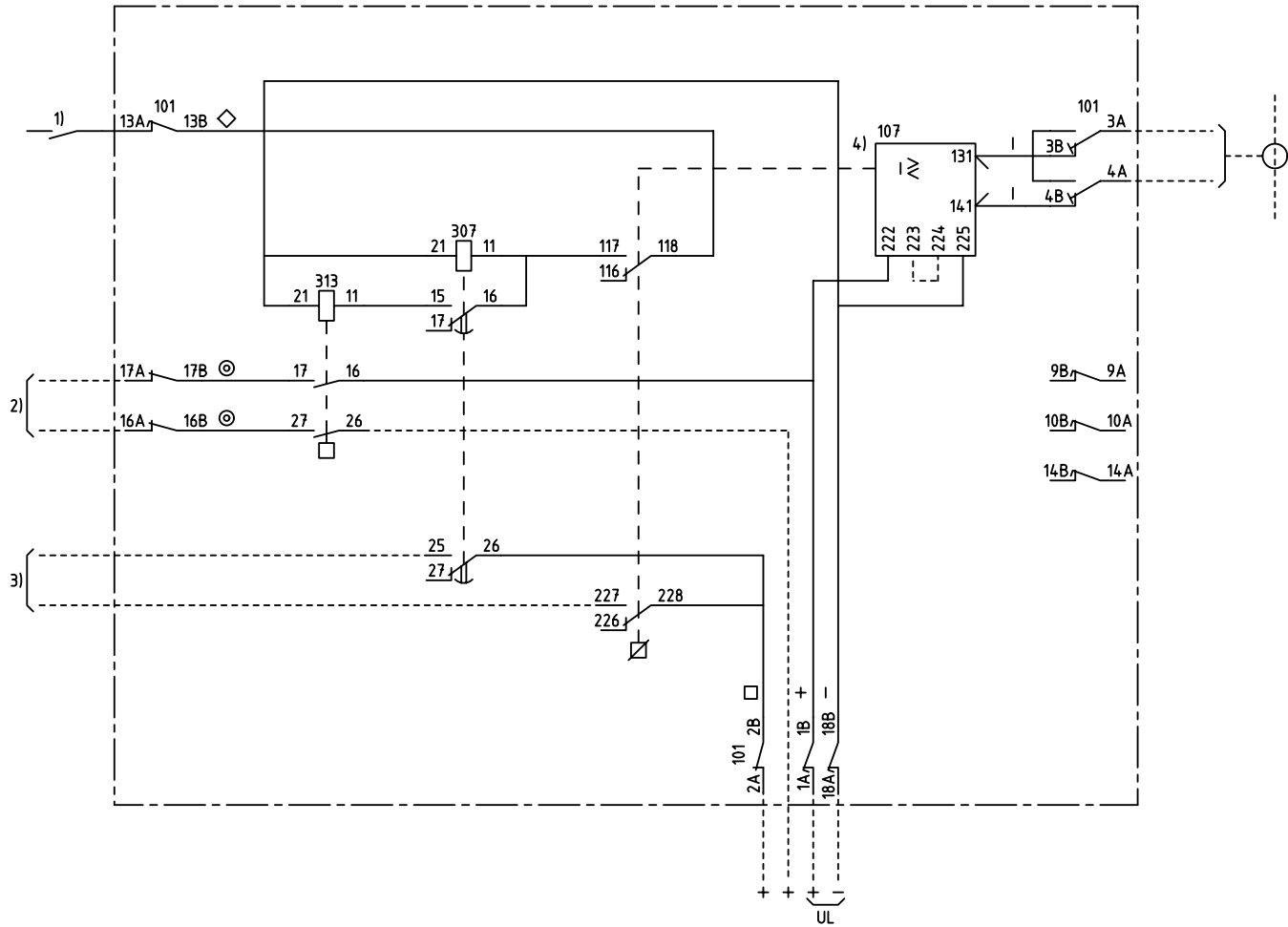
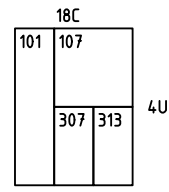


We reserve all rights in this document and in the information contained therein. Reproduction, use for advertising or promotional purposes without the written consent of ABB Network Partner AB is strictly forbidden.



EARTH-FAULT OR 1-PHASE
 OVERCURRENT PROTECTION, DELAYED
 JORDFELS- ELLER 1-FAS
 ÖVERSTRÖMSSKYDD, FÖDRÖJT



- 101 RTXP 18
- 107 RXIG 2
- 307 RXKL 1
- 313 RXME 18

- 1) ENABLING ETC.
FRIGIVNING M.M.
- 2) TRIPPING ETC.
UTLÖSNING M.M.
- 3) ALARM ETC.
SIGNAL M.M.

- 4) 223-224 CONNECTED AT
UL=—24 RESP. 110-125V
223-224 FÖRBUNDNA VID RL
UL=—24 RESP 110-125V

ELCAD ID PAT/render DATE 2004-06-2222:20

RK 651 100-BB Issued in ARCADE

Prepared 73 33		C-H EINVALL		CIRCUIT DIAGRAM/KRETSSCHEMA			
Approved 73 33		P JENÄKER		OVERCURRENT PROTECTION			
				ÖVERSTRÖMSSKYDD		Resp dep PAT Rev ind 8 96 45 Lang 82	
Rev Ind	Revision	Reg No	7432	ABB ABB Network Partner AB		7432 0001-BB	
Based on		Pcl	890.651				
						Cont	