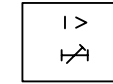
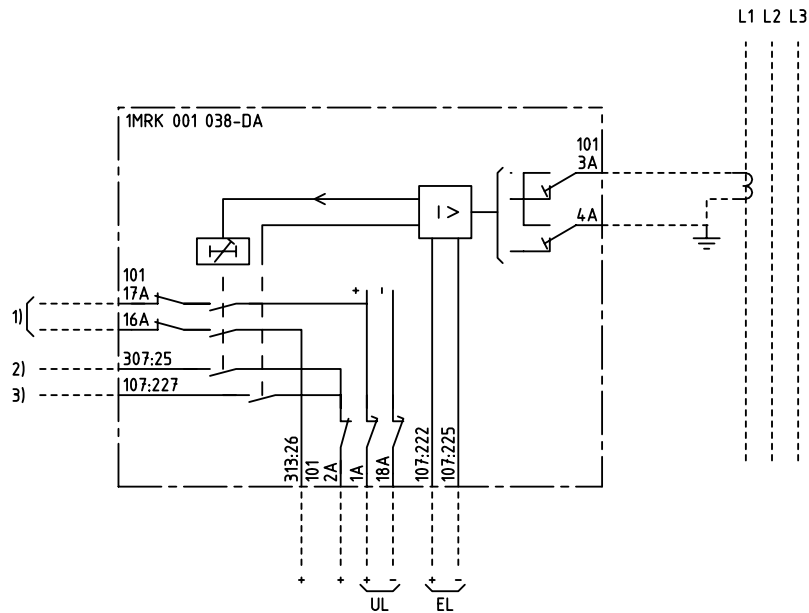


We reserve all rights in this document and in the information contained therein. Reproduction, use for other than intended purposes, or distribution without the written consent of ABB Network Partner AB is strictly forbidden.



1-PHASE OVERCURRENT PROTECTION, DELAYED  
 1-FAS ÖVERSTRÖMSSKYDD, FÖRDRÖJT

- 1) TRIPPING ETC.  
UTLÖSNING M.M.
- 2) ALARM ETC.  
SIGNAL M.M.
- 3) BLOCKING, INDICATION ETC.  
BLOCKERING, INDIKERING M.M.

ELCAD ID PS/render

DATE 2004-06-225:18

Issued in ARCADE

Prepared 97-06-27 C-H EINVALL/JE		TERMINAL DIAGRAM/UTTAGSSHEMA		Resp dep PS		Rev ind -		Lang 82	
Approved 97-07-04 P JENÄKER		RAIG 1-PHASE OVERCURRENT PROTECTION		1MRK 001 038-DAA		Sheet 1			
Rev Ind		Revision		Reg No 7411		Pcl 890,411		Cont	
Based on				ABB ABB Network Partner AB					

1

2

3

4

5

6