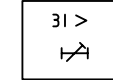
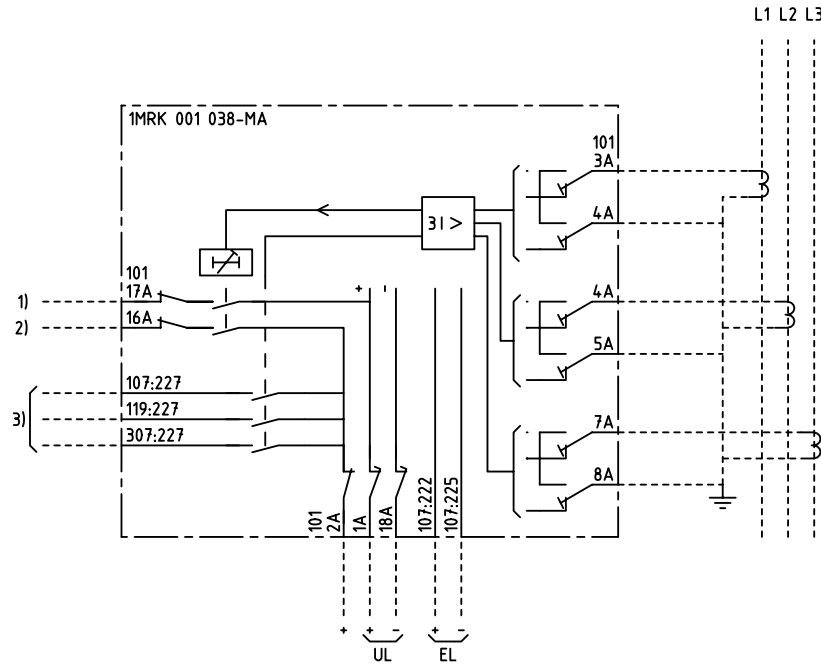


We reserve all rights in this document and in the information contained therein. Reproduction, use for other than intended purposes, or distribution without the written permission of ABB Network Partner AB is strictly forbidden.



3-PHASE OVERCURRENT PROTECTION, DELAYED  
 3-FAS ÖVERSTRÖMSSKYDD, FÖRDRÖJT

- 1) TRIPPING ETC.  
UTLÖSNING M.M.
- 2) ALARM ETC.  
SIGNAL M.M.
- 3) BLOCKING, INDICATION ETC.  
BLOCKERING, INDIKERING M.M.

ELCAD ID PS/render

DATE 2004-06-223:57

Issued in ARCADE

Prepared 97-06-27 C-H EINVALL/JE		TERMINAL DIAGRAM/UTTAGSSCHEMA		Resp dep PS		Rev Ind -		Lang 82	
Approved 97-07-04 P JENÄKER		RAIG 3-PHASE OVERCURRENT PROTECTION		Lang 82		Sheet 1			
		RAIG 3-FAS ÖVERSTRÖMSSKYDD		Lang 82		Sheet 1			
Rev Ind	Revision	Reg No	7411	ABB ABB Network Partner AB		1MRK 001 038-MAA		Cont	
Based on		Pcl	890,411						

1

2

3

4

5

6