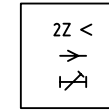
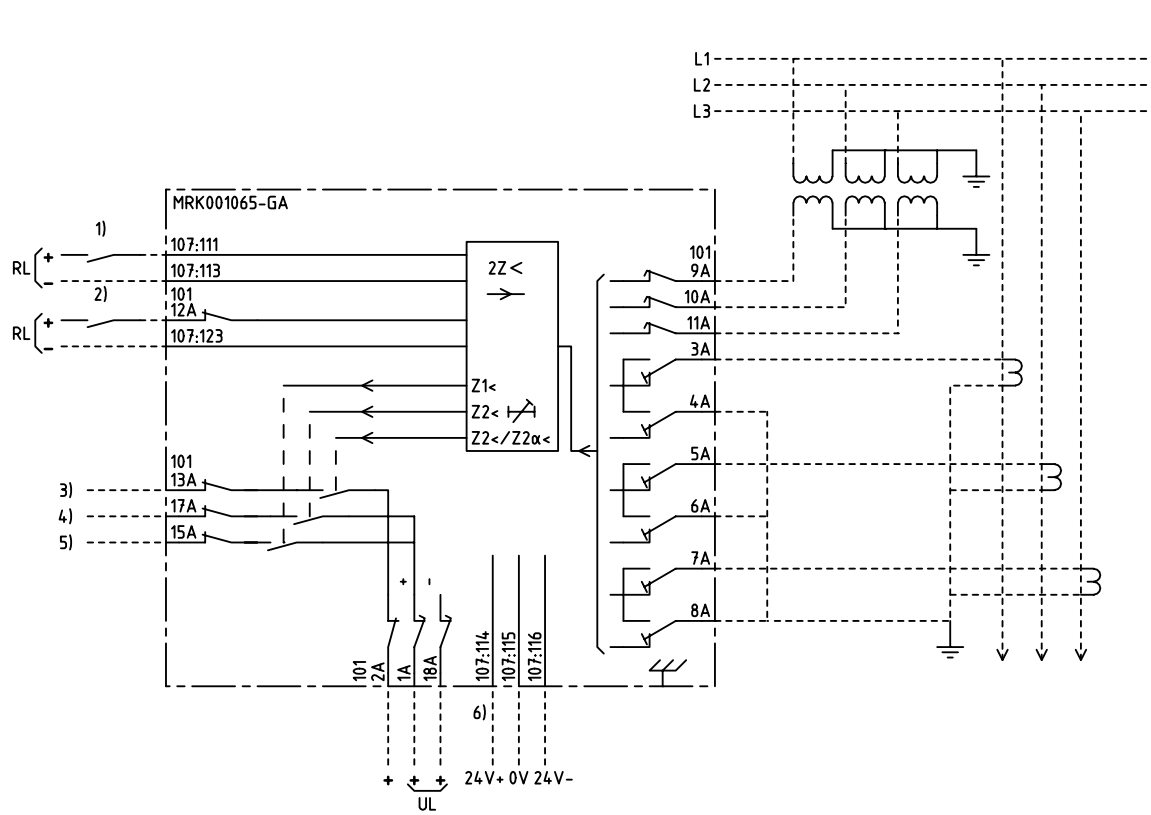
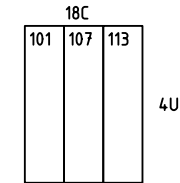


We reserve all rights in this document and in the information contained therein. Reproduction, use for other than intended purposes, or distribution without the written permission of ABB Automation Technologies AB is strictly forbidden.



2-PH UNDERIMPEDANCE PROTECTION
DELAYED



101 RTXP 18
107,113 RXZK 22H

- 1) BLOCKING OF ALL THE FUNCTIONS EXCEPT Z2α<, FUNCTION Z2< CHANGES TO AN INSTANTANEOUS FUNCTION.
- 2) RESETTING OF INDICATION
- 3) UNDERIMPEDANCE Z2</Z2α<, START
- 4) UNDERIMPENANCE Z2<, TRIPPING
- 5) UNDERIMPEDANCE Z1<, TRIPPING
- 6) MUST BE ENERGIZED FROM RXTUG 21/22H

Customer drw no	Prep. PTUA/ TPTD Eriksson Jill 2000-11-24	Connection Diagram		Conf. sh/ No of sh
	Appr. PTUA/ TATD Karlsson Roger 2001-03-27	2-phase underimpedance protection		
Based on	Resp. dept PTUA/ TPTD	Document number	Lang. en	Rev. -
	ABB ABB Automation Technologies		1MRK001065-GAA	Sheet 1

Document status: Approved