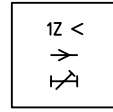
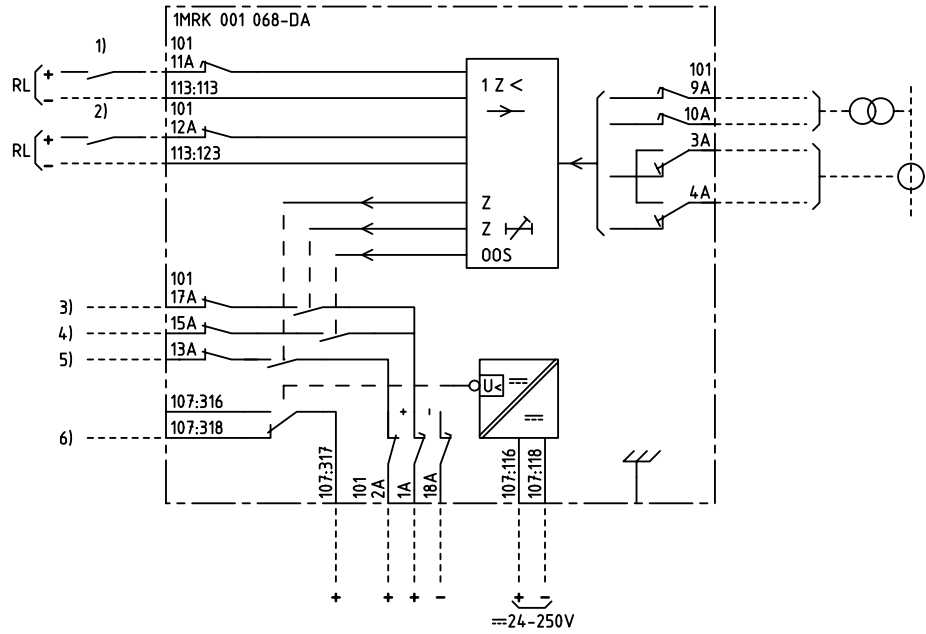


We reserve all rights in this document and in the information contained therein. Reproduction, use for other than intended purposes, or distribution without the written permission of ABB Network Partner AB is strictly forbidden.



1-PH UNDERIMPEDANCE PROTECTION
 DELAYED
 1-FAS UNDERIMPEDANSSKYDD
 FÖRDRÖJT

- 1) TOTAL BLOCKING
TOTAL BLOCKERING
- 2) RESETTING OF INDICATION
ÅTERSTÄLLNING AV INDIKERING
- 3) UNDERIMPEDANCE, TRIPPING
UNDERIMPEDANS, UTLÖSNING
- 4) OUT OF STEP, TRIPPING
URFASFALL, UTLÖSNING
- 5) UNDERIMPEDANCE, START
UNDERIMPEDANS, START
- 6) LOSS OF AUXILIARY VOLTAGE
BORTFALL AV HJÄLPSPÄNNING

ELCAD ID PS/render

DATE 2004-06-224:35

Issued in ARCADE

Prepared 97-04-17 C-H EINVALL/JE		TERMINAL DIAGRAM/UTTAGSSHEMA		Resp dep PS		Rev ind 1 97.27		Lang 82	
Approved 97-04-23 Peter Jenøker		RAZK 231 1-PHASE UNDERIMPEDANCE PROT.		Sheet 1		Cont		1	
Rev Ind		Revision		Reg No 7411		Pcl 890.557		Based on	
1		2		3		4		5	
1		2		3		4		5	

ABB ABB Network Partner AB

1MRK 001 068-DAA