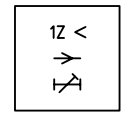
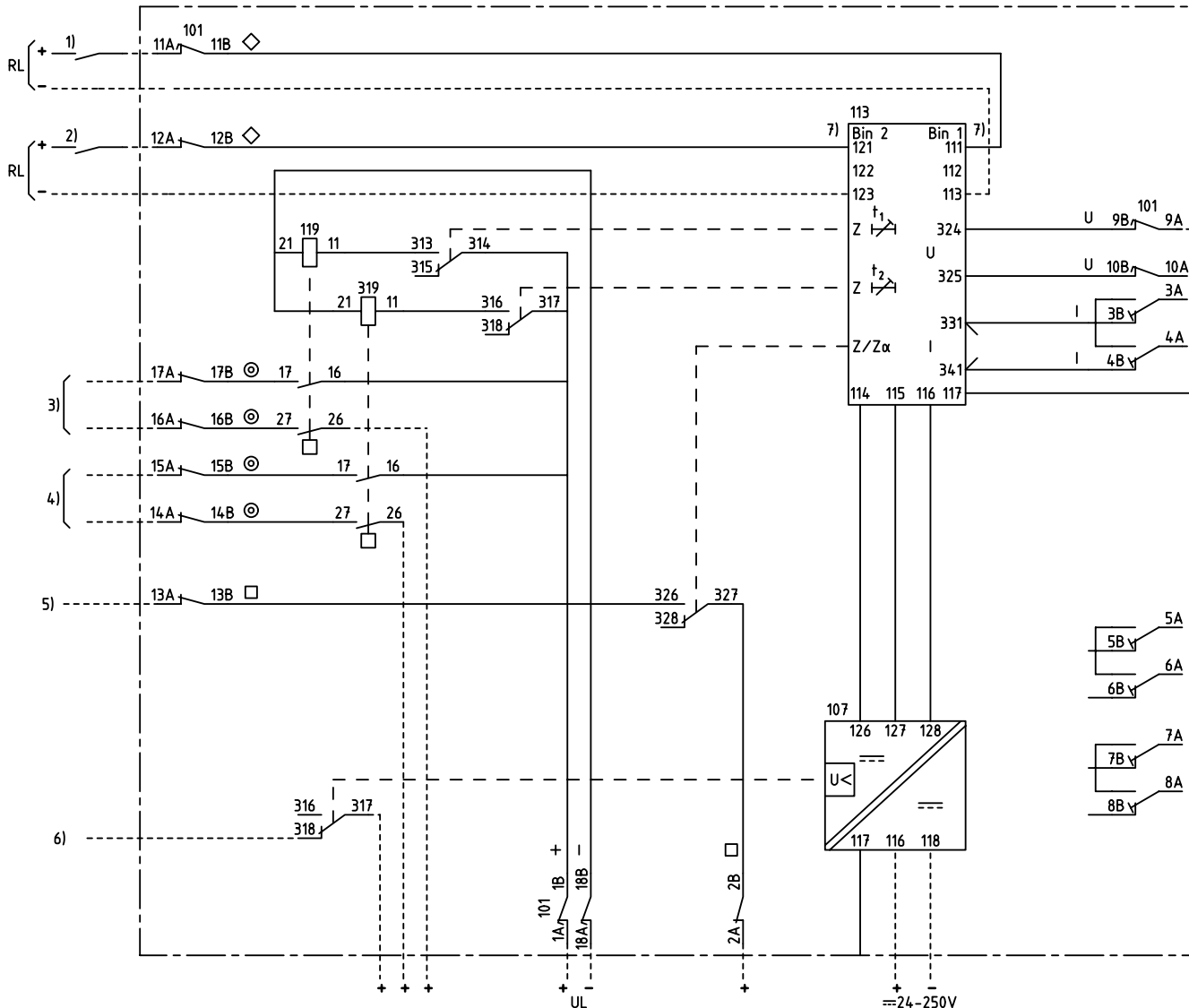
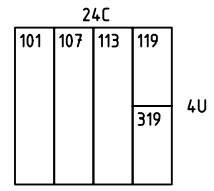


We reserve all rights in this document and in the information contained therein. Reproduction, use for other than intended purposes, or distribution without the written permission of ABB Network Partner AB is strictly forbidden.



1-PH UNDERIMPEDANCE PROTECTION
 DELAYED
 1-FAS UNDERIMPEDANSSKYDD
 FÖRDRÖJT



101 RTXP 18
 107 RXTUG 22H
 113 RXZK 21H
 119,319 RXME 18

- 1) BLOCKING OF ALL FUNCTIONS EXCEPT $Z\alpha<$ OR BLOCKING OF TRIP Z OR ENABLE OF $Z/Z\alpha<$ OR ACCELERATION OF Z .
 BLOCKERING AV ALLA FUNKTIONER UTOM $Z\alpha<$ ELLER BLOCKERING AV UTLÖSNING Z ELLER FRIGIVNING AV $Z/Z\alpha<$ ELLER ACCELERATION AV Z .
- 2) RESETTING OF INDICATION
 ÅTERSTÄLLNING AV INDIKERING
- 3) UNDERIMPEDANCE, TRIPPING STAGE 1
 UNDERIMPEDANS, UTLÖSNING STEG 1
- 4) UNDERIMPEDANCE, TRIPPING STAGE 2
 UNDERIMPEDANS, UTLÖSNING STEG 2
- 5) UNDERIMPEDANCE/DIR. UNDERIMPEDANCE, START
 UNDERIMPEDANS/RIKTAD UNDERIMPEDANS, START
- 6) LOSS OF AUXILIARY VOLTAGE
 BORTFALL AV HJÄLPSPÄNNING
- 7) CONNECTED FOR RL=110-220V DC
 CHANGE FROM 111 TO 112 AND 121 TO 122 AT RL=48-60V DC
 KÖPPLAD FÖR RL=110-220V DC
 ÄNDRA FRÅN 111 TILL 112 OCH 121 TILL 122 VID RL=48-60V DC

ELCAD ID PAT/render

DATE 2004-06-231:17

1MRK 001 029-EA

Issued in ARCADE

Prepared 96-06-13 H RAZA/LB		CIRCUIT DIAGRAM/KRETSSCHEMA		+ .	
Approved 96-08-19 P JENÄKER		RAZK 211 1-PHASE UNDERIMPEDANCE PROT.		Lang 82	
		RAZK 211 1-FAS UNDERIMPEDANSSKYDD		Rev ind 2 9735	
Rev Ind	Revision	Reg No 7411	ABB ABB Network Partner AB		1MRK 001 030-EA
Based on	Pcl 890.557				
					Cont