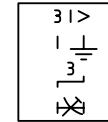
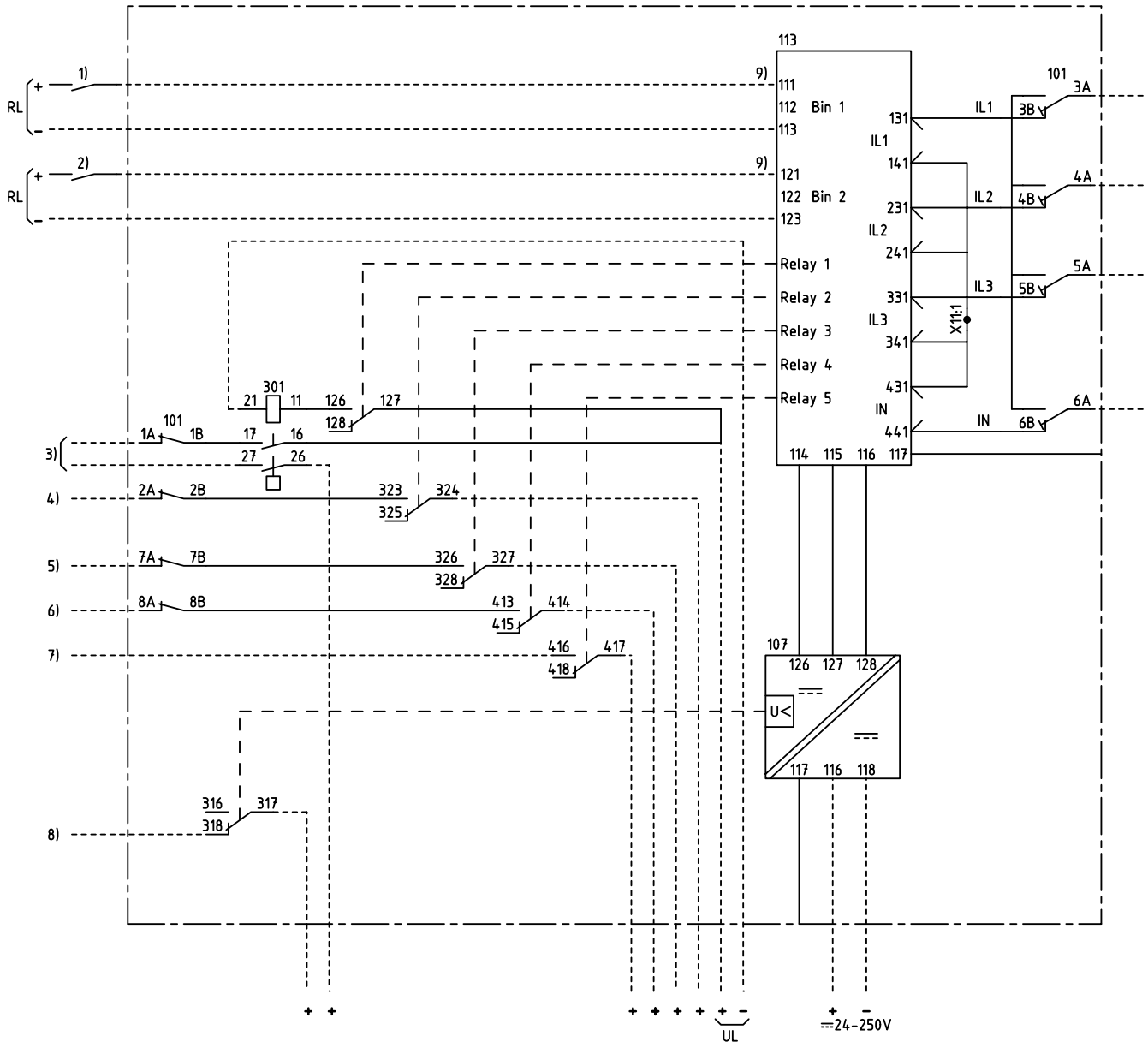
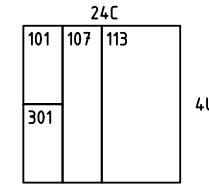


We reserve all rights in this document and in the information contained therein. Reproductions, use for other than intended purposes, or modification is strictly forbidden. © ABB Automation Technologies AB



3-PHASE OVERCURRENT AND EARTH-FAULT PROTECTION



- 101 RXP 8
- 107 RXTUG 22H
- 113 RXHL 401
- 301 RXME 18

- 1), 2) BINARY INPUT, PROGRAMMABLE
- 3)-7) RELAY OUTPUTS 1-5, PROGRAMMABLE FUNCTION
- 8) LOSS OF AUXILIARY VOLTAGE
- 9) CONNECTED FOR RL=110-220V DC

PROGRAMMABLE FUNCTIONS FOR BINARY INPUTS:
BLOCKING/ENABLING I>, I>>, I>>>, IN>, IN>>, IN>>>
ALTERNATIVE SETTINGS; RESET OF LED INDICATIONS.

PROGRAMMABLE FUNCTIONS FOR BINARY OUTPUTS:
START AND TRIP I>, I>>, I>>>, IN>, IN>>, IN>>>
ALTERNATIVE SETTINGS; IN SERVICE

1MRK 001 082-EB

Customer drw no	Prep. PTUA/ TPTD H Raza/JE 2000-01-28	Circuit Diagram	Cont. sh/ No of sh
	Appr. PTUA/ Roger Karlsson 2000-02-03		
	Resp. dept PTUA/ TPTD	Document number	Lang. en
Based on	ABB ABB Automation Technologies	1MRK001083-EB	Rev. -
			Sheet 1

Document status: Approved