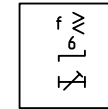
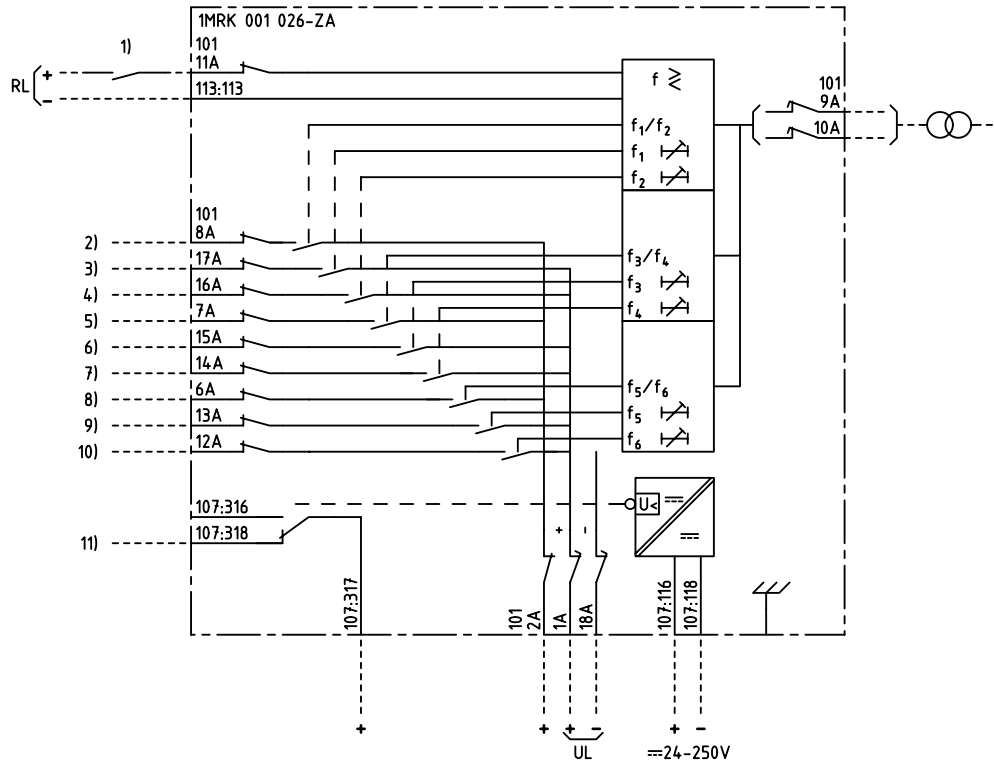


We reserve all rights in this document and in the information contained therein. Reproduction, use for other than intended purposes, or distribution without the written consent of ABB Network Partner AB is strictly forbidden.



OVER AND/OR UNDERFREQUENCY PROTECTION  
ÖVER OCH/ELLER UNDERFREKVENSSKYDD

- 1) RESETTING OF INDICATION  
ÅTERSTÄLLNING AV INDIKERING
- 2) START STAGE 1/STAGE 2  
START STEG 1/STEG 2
- 3) TRIPPING STAGE 1  
UTLÖSNING STEG 1
- 4) TRIPPING STAGE 2  
UTLÖSNING STEG 2
- 5) START STAGE 3/STAGE 4  
START STEG 3/STEG 4
- 6) TRIPPING STAGE 3  
UTLÖSNING STEG 3
- 7) TRIPPING STAGE 4  
UTLÖSNING STEG 4
- 8) START STAGE 5/STAGE 6  
START STEG 5/STEG 6
- 9) TRIPPING STAGE 5  
UTLÖSNING STEG 5
- 10) TRIPPING STAGE 6  
UTLÖSNING STEG 6
- 11) LOSS OF AUXILIARY VOLTAGE  
BORTFALL AV HJÄLPPSPÄNNING

ELCAD ID TPTD/render

DATE 2004-06-23:22

Issued in ARCADE

		Prepared 96-12-10	C-H EINVALL/J ERIKSSON	TERMINAL DIAGRAM/UTTAGSSCHEMA			
		Approved 97-01-13	Peter Jenøker	RAFK 3 FREQUENCY PROTECTION			
				RAFK 3 FREKVENSSKYDD		Resp dep TPTD	Rev ind 1 97.05
Rev Ind	Revision	Reg No 7411	<b>ABB</b> ABB Network Partner AB		<b>1MRK 001 026-ZAA</b>		Lang en
Based on		Pcl 890.546					Sheet 1

1

2

3

4

5

6