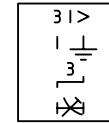
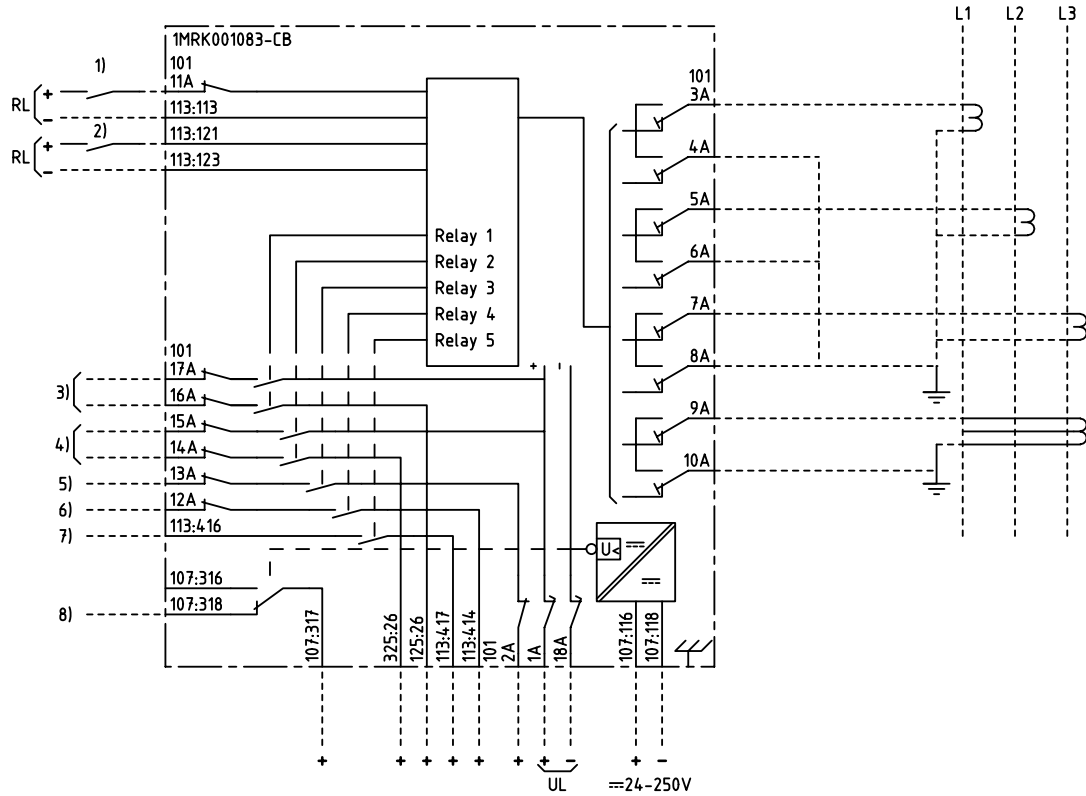
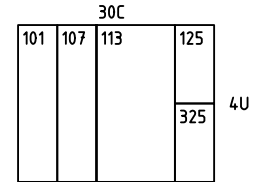


We reserve all rights in this document and in the information contained therein. Reproduction, use or distribution of this document without the written authority of ABB Automation Technologies AB is strictly forbidden.



3-PHASE OVERCURRENT AND EARTH-FAULT PROTECTION



101	RTXP 18
107	RXTUG 22H
113	RXHL 401
125,325	RXME 18

- 1), 2) BINARY INPUT, PROGRAMMABLE
- 3)-7) RELAY OUTPUTS 1-5, PROGRAMMABLE FUNCTION
- 8) LOSS OF AUXILIARY VOLTAGE

PROGRAMMABLE FUNCTIONS FOR BINARY INPUTS:
BLOCKING/ENABLING I>, I>>, I>>>, IN>, IN>>, IN>>>
ALTERNATIVE SETTINGS; RESET OF LED INDICATIONS.

PROGRAMMABLE FUNCTIONS FOR BINARY OUTPUTS:
START AND TRIP I>, I>>, I>>>, IN>, IN>>, IN>>>;
ALTERNATIVE SETTINGS; IN SERVICE

Customer drw no	Prep. PTUA/ TPTD H Raza/JE 2000-01-28	Connection Diagram	Conf. sh/ No of sh
	Appr. PTUA/ Roger Karlsson 2000-02-03		
Based on	Resp. dept PTUA/ TPTD	Document number	Lang. en
		1MRK001083-CBA	Rev. -
	ABB Automation Technologies		Sheet 1

Document status: Approved