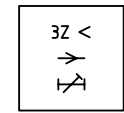
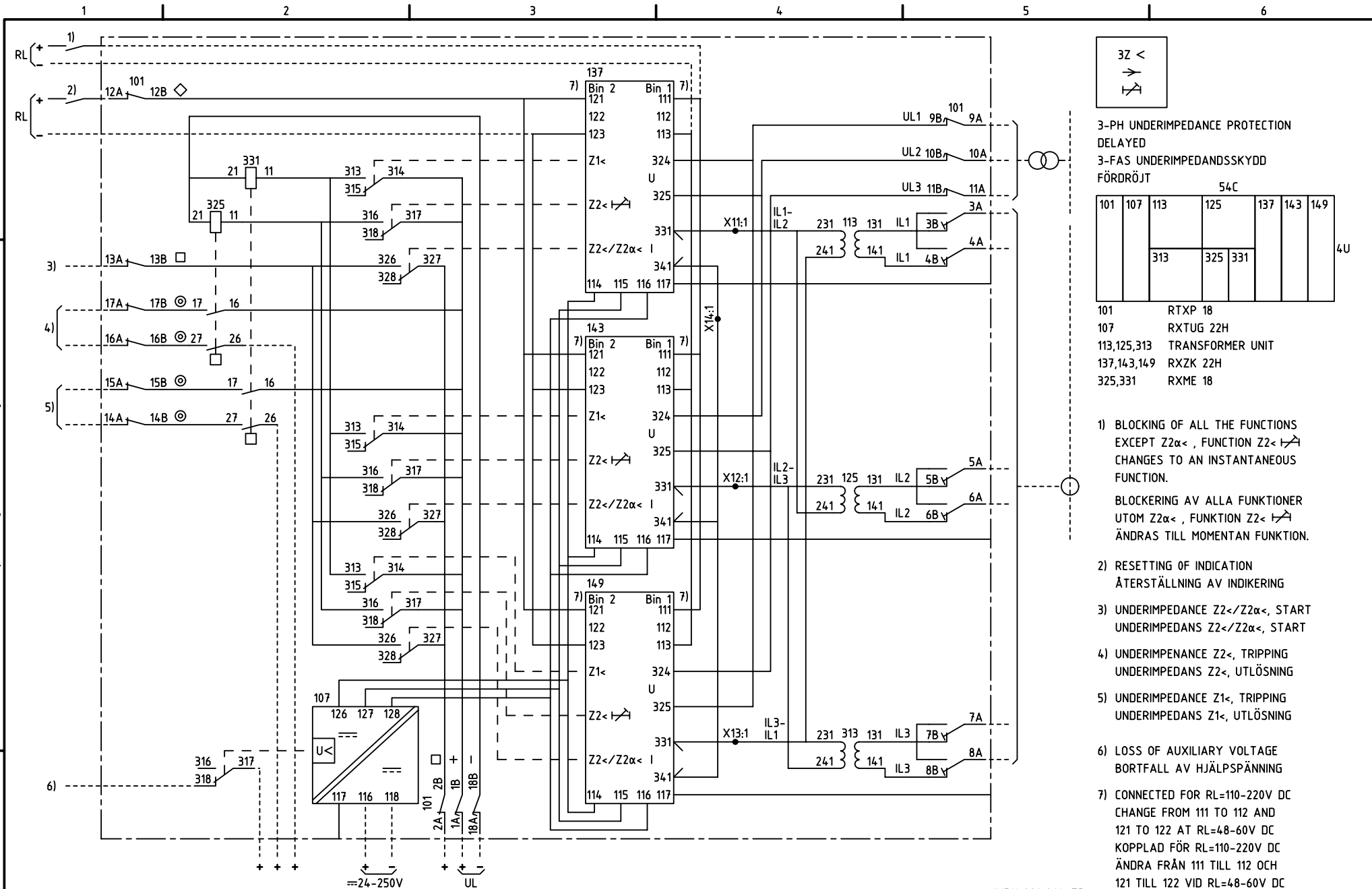


We reserve all rights in this document and in the information contained therein. Reproduction, use or distribution of this document without the written authority of ABB Automation Technologies AB is strictly forbidden. © ABB Automation Technologies AB



3-PH UNDERIMPEDANCE PROTECTION
 DELAYED
 3-FAS UNDERIMPEDANSSKYDD
 FÖRDRÖJT

54C					
101	107	113	125	137	143 149
		313	325 331		
101	107	113	125	137	143 149
101	107	113	125	137	143 149

101 RTXP 18
 107 RXTUG 22H
 113,125,313 TRANSFORMER UNIT
 137,143,149 RXZK 22H
 325,331 RXME 18

1) BLOCKING OF ALL THE FUNCTIONS EXCEPT $Z2\alpha<$, FUNCTION $Z2<$ CHANGES TO AN INSTANTANEOUS FUNCTION.

BLOCKERING AV ALLA FUNKTIONER UTOM $Z2\alpha<$, FUNKTION $Z2<$ ÄNDRAS TILL MOMENTAN FUNKTION.

2) RESETTING OF INDICATION
 ÅTERSTÄLLNING AV INDIKERING

3) UNDERIMPEDANCE $Z2</Z2\alpha<$, START
 UNDERIMPEDANS $Z2</Z2\alpha<$, START

4) UNDERIMPEDANCE $Z2<$, TRIPPING
 UNDERIMPEDANS $Z2<$, UTLÖSNING

5) UNDERIMPEDANCE $Z1<$, TRIPPING
 UNDERIMPEDANS $Z1<$, UTLÖSNING

6) LOSS OF AUXILIARY VOLTAGE
 BORTFALL AV HJÄLPSPÄNNING

7) CONNECTED FOR $RL=110-220V$ DC CHANGE FROM 111 TO 112 AND 121 TO 122 AT $RL=48-60V$ DC KOPPLAD FÖR $RL=110-220V$ DC ÄNDRA FRÅN 111 TILL 112 OCH 121 TILL 122 VID $RL=48-60V$ DC

1MRK 001 064-ZB

Customer drw no	Prep. PTUA/ SA/TD Eriksson Jill 2003-10-03	Circuit Diagram	Cont. sh/ No of sh
	Appr. PTUA/ SA/TD Jonsson Patrik 2003-10-03	Underimpedance protection	
	Resp. dept PTUA/ PTUA/TPTD	Document number	Lang. Rev. Sheet
		1MRK001065-ZB	en A 1
Based on	ABB Automation Technologies		

Document status: Approved