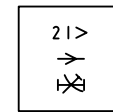
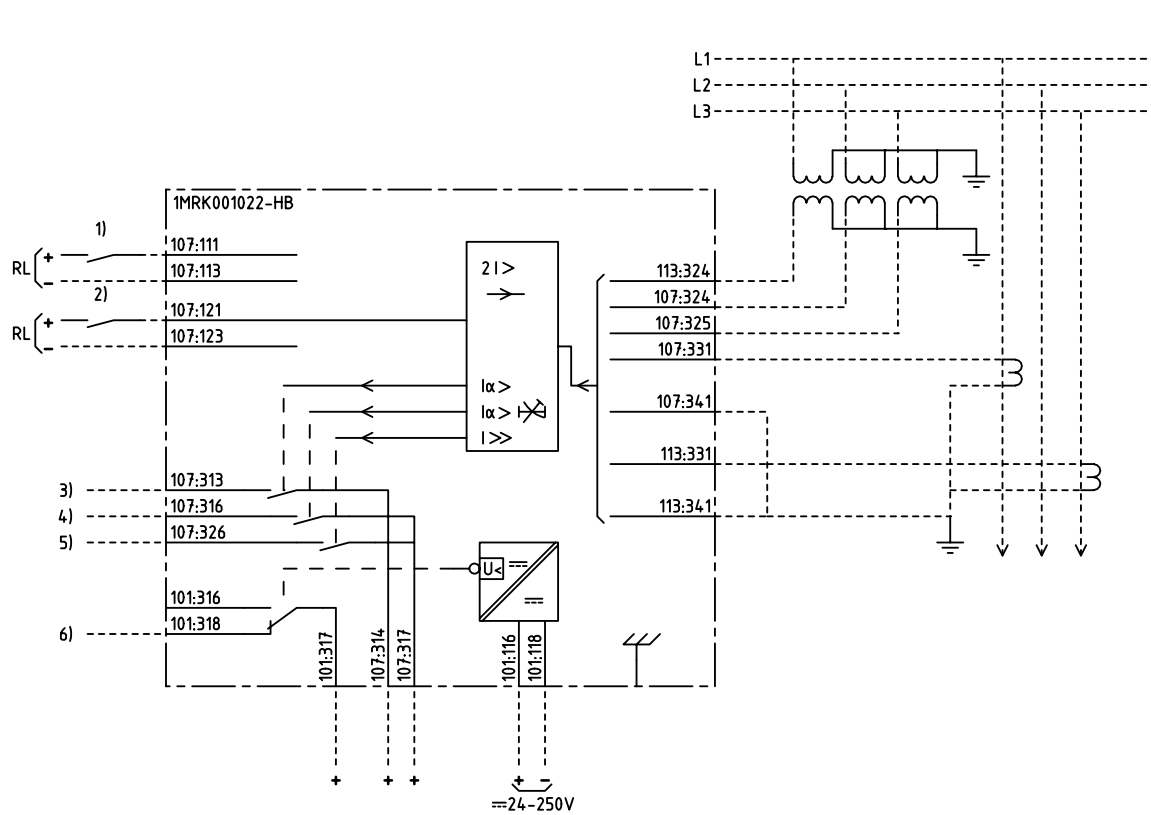
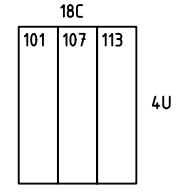


We reserve all rights in this document and in the information contained therein. Reproduction, use for other than intended purposes, or distribution without the written consent of ABB Automation Technologies AB is strictly forbidden.



2-PH DIRECTIONAL OVERCURRENT PROTECTION, DELAYED
2-FAS RIKTAT ÖVERSTRÖMSKYDD FÖRDRÖJT



101 RXTUG 22H
107,113 RXPDK 21H

- 1) BLOCKING OF THE FUNCTION $\alpha >$
- BLOCKERING AV FUNKTIONEN $\alpha >$
- 2) RESETTING OF INDICATION
ÅTERSTÄLLNING AV INDIKERING
- 3) DIRECTIONAL OVERCURRENT, START
RIKTAT ÖVERSTRÖM, START
- 4) DIRECTIONAL OVERCURRENT, TRIPPING
RIKTAT ÖVERSTRÖM, UTLÖSNING
- 5) HIGH CURRENT, TRIPPING
HÖGSTRÖMSSTEG, UTLÖSNING
- 6) LOSS OF AUXILIARY VOLTAGE
BORTFALL AV HJÄLPPSPÄNNING

| | | | |
|-----------------|--|-----------------------|-----------------------|
| Customer drw no | Prep. PTUA/ TPTD H Raza/JE 1999-03-29 | Connection Diagram | Conf. sh/ No of sh |
| | Appr. PTUA/ Roger Karlsson 1999-05-21 | | |
| | Resp. dept PTUA/ TPTD | Document number | Lang. en |
| Based on | ABB ABB Automation Technologies | 1MRK001022-HBA | Rev. - |
| | | | Sheet 1 |

Document status: Approved