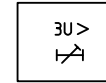
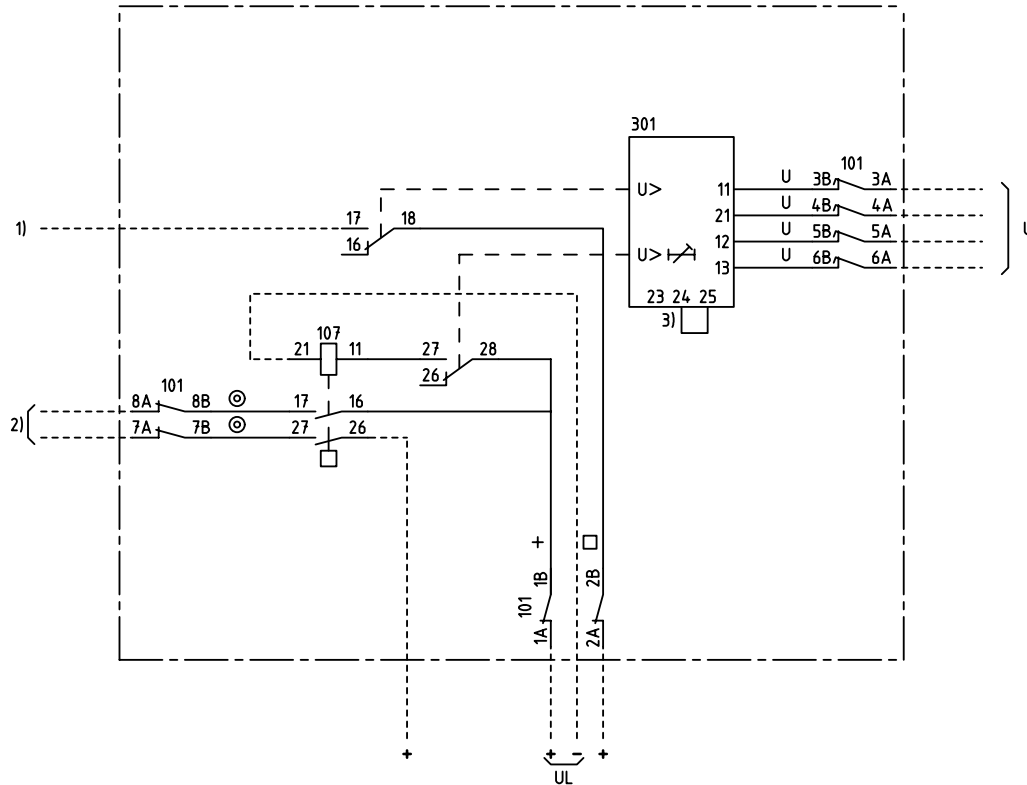
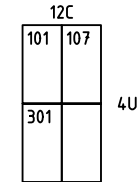


We reserve all rights in this document and in the information contained therein. Reproduction, use for other than intended purposes, without the written consent of ABB Network Partner AB is strictly forbidden.



OVERVOLTAGE PROTECTION, DELAYED  
SPÄNNINGSSTEGRINGSSKYDD, FÖRDRÖJT



101 RTXP 8  
107 RXME 18  
301 RXEDA 1

- 1) START, ALARM  
START, SIGNAL
- 2) TRIPPING  
UTLÖSNING
- 3) WIRE MOVED FROM TERMINAL  
24 TO 23 FOR MEASURING  
3Ø+N  
  
LEDARE FLYTTAD FRÅN UTTAG  
24 TILL 23 FÖR MÄTNING  
3Ø+N

ELCAD ID PS/render

DATE 2004-06-2220:46

1MRK 001 079-BA

Issued in ARCADE

Prepared 97-09-12 C-H EINVALL/JE		CIRCUIT DIAGRAM/KRETSSCHEMA		+ . -	
Approved 97-11-27 P JENÄKER		RAEDA OVERVOLTAGE PROTECTION		Resp dep PS Rev Ind - Lang 82	
		RAEDA SPÄNNINGSSTEGRINGSSKYDD		Sheet 1	
Rev Ind	Revision	Reg No 7411	<b>ABB</b> ABB Network Partner AB		<b>1MRK 001 080-BA</b>
Based on	Pcl 890,463				