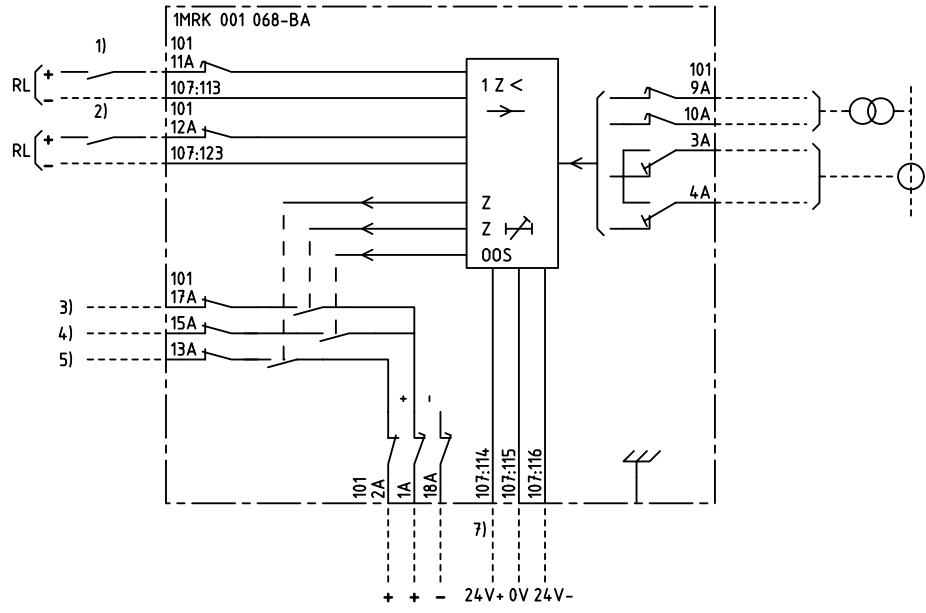


We reserve all rights in this document and in the information contained therein. Reproduction, use for other than intended purposes, without the written consent of ABB Network Partner AB is strictly forbidden.



1-PH UNDERIMPEDANCE PROTECTION
 DELAYED
 1-FAS UNDERIMPEDANSSKYDD
 FÖRDRÖJT

- 1) TOTAL BLOCKING
TOTAL BLOCKERING
- 2) RESETTING OF INDICATION
ÅTERSTÄLLNING AV INDIKERING
- 3) UNDERIMPEDANCE, TRIPPING
UNDERIMPEDANS, UTLÖSNING
- 4) OUT OF STEP, TRIPPING
URFASFALL, UTLÖSNING
- 5) UNDERIMPEDANCE, START
UNDERIMPEDANS, START
- 7) MUST BE ENERGIZED FROM RXTUG 21/22H
MÅSTE MATAS FRÅN RXTUG 21/22H

ELCAD ID PS/render DATE 2004-06-2223:01 Issued in ARCADE

Prepared 97-04-17 C-H EINVALL/JE		TERMINAL DIAGRAM/UTTAGSSCHEMA		Resp dep PS		Rev ind 1 97.27		Lang 82	
Approved 97-04-23 Peter Jenøker		RAZK 231 1-PHASE UNDERIMPEDANCE PROT.		ABB		1MRK 001 068-BAA		Sheet 1	
Rev Ind	Revision	Reg No	7411	ABB Network Partner AB				Cont	
Based on		Pcl	890.557						