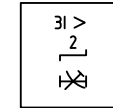
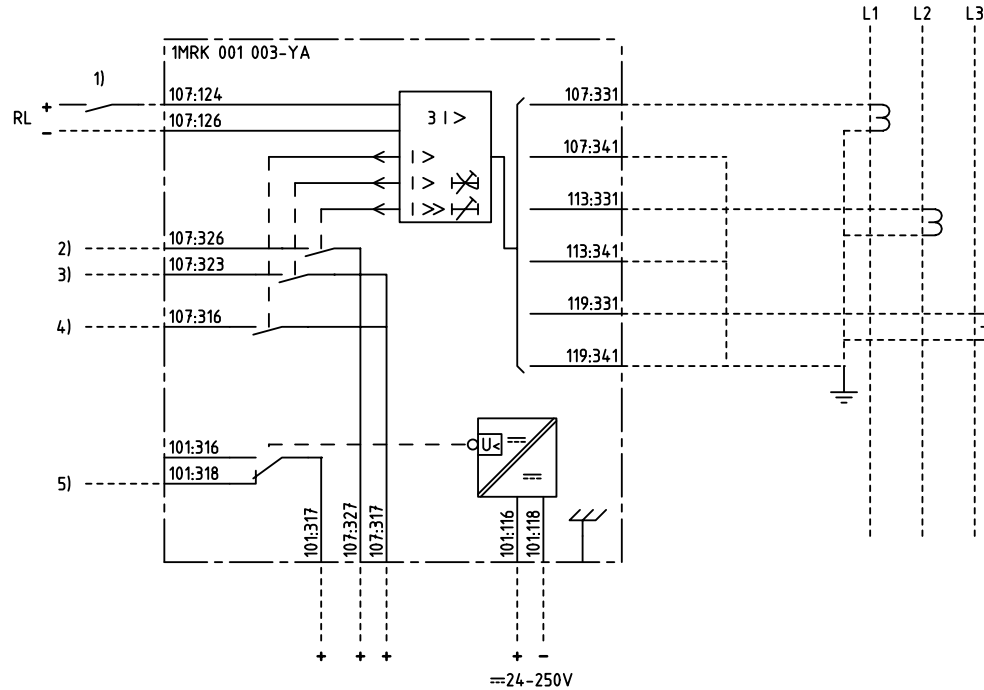
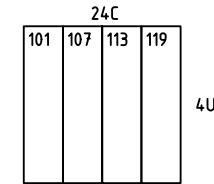


We reserve all rights in this document and in the information contained therein. Reproduction, use for other than intended purposes or distribution without the written permission of ABB Network Partner AB is strictly forbidden.



3-PHASE O/C PROTECTION
3-FAS ÖVERSTRÖMSSKYDD



101 RXTUG 22H
107,113,119 RXIDK 2H

- 1) ENABLE, BLOCK OR INCREASED OP.VALUE
FRIGIVNING, BLOCKERING ELLER ÖKAT
FUNKTIONSVÄRDE
- 2) START OVERCURRENT
START ÖVERSTRÖM
- 3) LOW SET STAGE, TRIPPING
LÄGSTRÖMSSTEG, UTLÖSNING
- 4) HIGH SET STAGE, TRIPPING
HÖGSTRÖMSSTEG, UTLÖSNING
- 5) LOSS OF AUXILIARY VOLTAGE
BORTFALL AV HJÄLPSPÄNNING

ELCAD ID PS/render

DATE 2004-06-230:25

Issued in ARCADE

Prepared 97-11-17 H RAZA/JE		TERMINAL DIAGRAM/UTTAGSSCHEMA		Resp dep PS		Rev ind -		Lang 82	
Approved 98-02-05 P JENÄKER		RAIDK 3 OVERCURRENT PROTECTION		RAIDK 3 ÖVERSTRÖMSSKYDD				Sheet 1	
Rev Ind		Revision		Reg No 7411		Pcl 890 474		Cont	
Based on				ABB ABB Network Partner AB		1MRK 001 003-YAA			

1

2

3

4

5

6