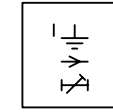
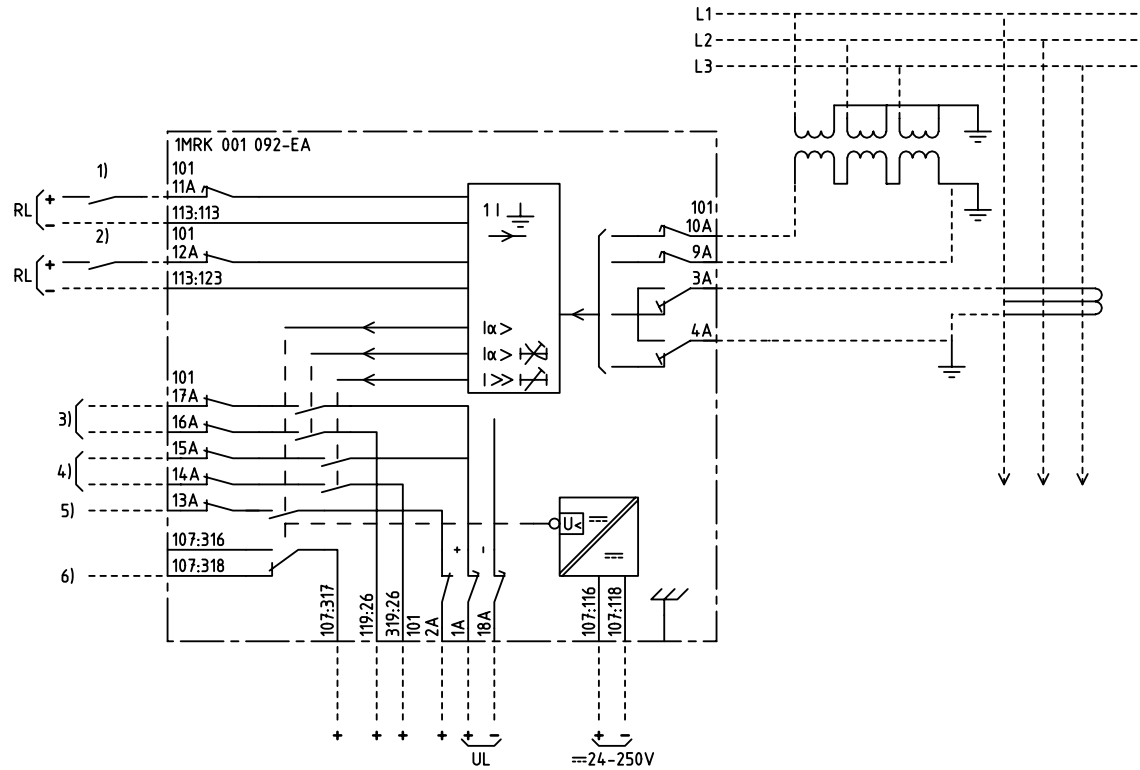


We reserve all rights in this document and in the information contained therein. Reproduction, use for other than intended purposes, or distribution without the written permission of ABB Network Partner AB is strictly forbidden.



DIRECTIONAL EARTH FAULT PROTECTION, DELAYED
RIKTAT JORDFELSSKYDD, FÖRDRÖJT

24C			
101	107	113	119
			319
4U			

101	RTXP 18
107	RXTUG 22H
113	RXPKD 23H
119,319	RXME 18

- 1) BLOCKING/ENABLING ONLY OF $I_{\alpha>}$ AND $I_{>>}$
BLOCKERING/FRIGVNING ENDAST AV $I_{\alpha>}$ OCH $I_{>>}$
- 2) RESETTING OF INDICATION
ÅTERSTÄLLNING AV INDIKERING
- 3) DIRECTIONAL EARTH FAULT, TRIPPING
RIKTAT JORDFEL, UTLÖSNING
- 4) EARTH FAULT, TRIPPING
JORDFEL, UTLÖSNING
- 5) DIRECTIONAL EARTH FAULT, START
RIKTAT JORDFEL, START
- 6) LOSS OF AUXILIARY VOLTAGE
BORTFALL AV HJÄLPSPÄNNING

ELCAD ID PS/render DATE 2004-06-230:50

Issued in ARCADE

Prepared 98-06-16 H RAZA/JE		TERMINAL DIAGRAM/UTTAGSSCHEMA		Resp dep PS		Rev ind 1 98-10-19		Lang 82	
Approved 98-10-05 P JENÄKER		RAPDK 231 DIR. EARTH-FAULT PROTECTION		ABB ABB Network Partner AB		1MRK 001 092-EAA		Sheet 1	
Rev Ind Revision		Reg No 7411		Based on Pcl 890.512				Cont	