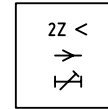
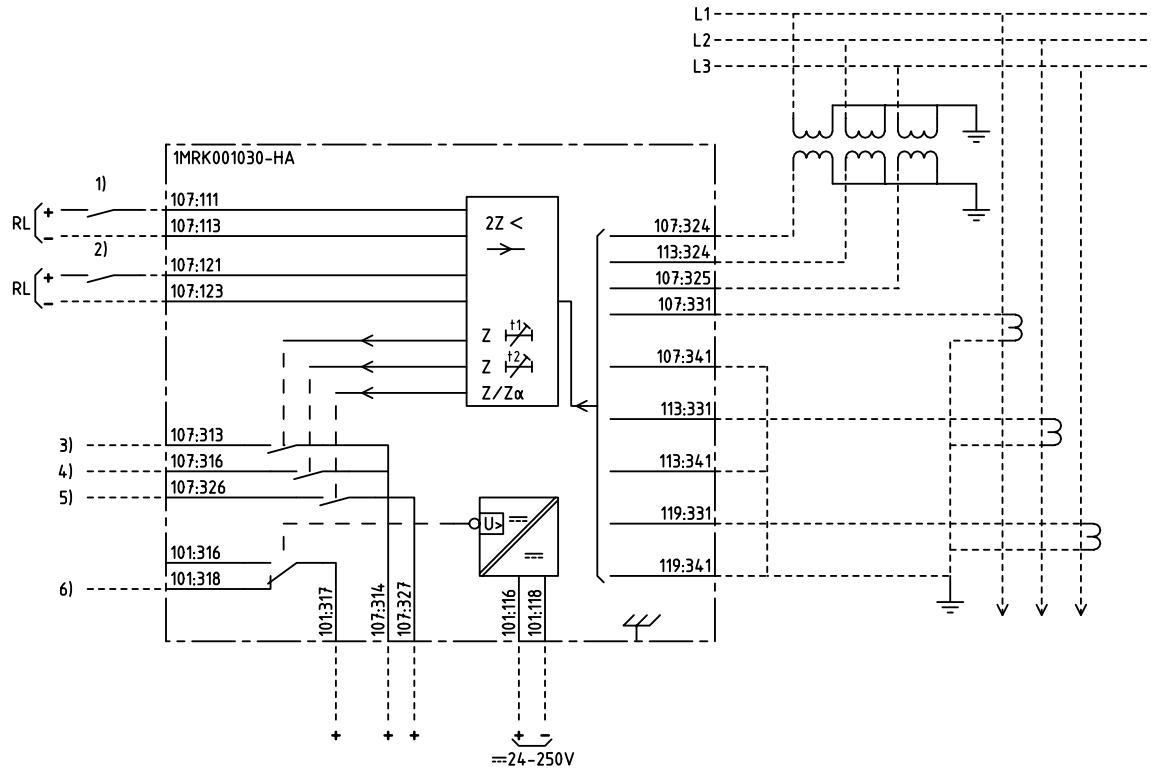
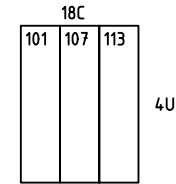


We reserve all rights in this document and in the information contained therein. Reproduction, use for other than intended purposes, or distribution without the written permission of ABB Automation Technologies AB is strictly forbidden.



2-PH UNDERIMPEDANCE PROTECTION
DELAYED



101 RXTUG 22H
107,113 RXZK 21H

- 1) BLOCKING OF ALL FUNCTIONS EXCEPT $Z\alpha <$ OR BLOCKING OF TRIP $Z \frac{I}{Z}$ OR ENABLE OF $Z/Z\alpha <$ OR ACCELERATION OF $Z \frac{I}{Z}$
- 2) RESETTING OF INDICATION
- 3) UNDERIMPEDANCE, TRIPPING STAGE 1
- 4) UNDERIMPEDANCE, TRIPPING STAGE 2
- 5) UNDERIMPEDANCE/DIR. UNDERIMPEDANCE, START
- 6) LOSS OF AUXILIARY VOLTAGE

Customer drw no	Prep. PTUA/ TPTD Eriksson Jill 2000-11-23	Connection Diagram		Conf. sh/ No of sh
	Appr. PTUA/ TATD Karlsson Roger 2001-03-27	2-phase underimpedance protection		
	Resp. dept PTUA/ TPTD	Document number	Lang.	Rev.
Based on	ABB ABB Automation Technologies	1MRK001030-HAA	en	-
				Sheet 1

Document status: Approved