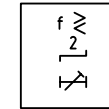
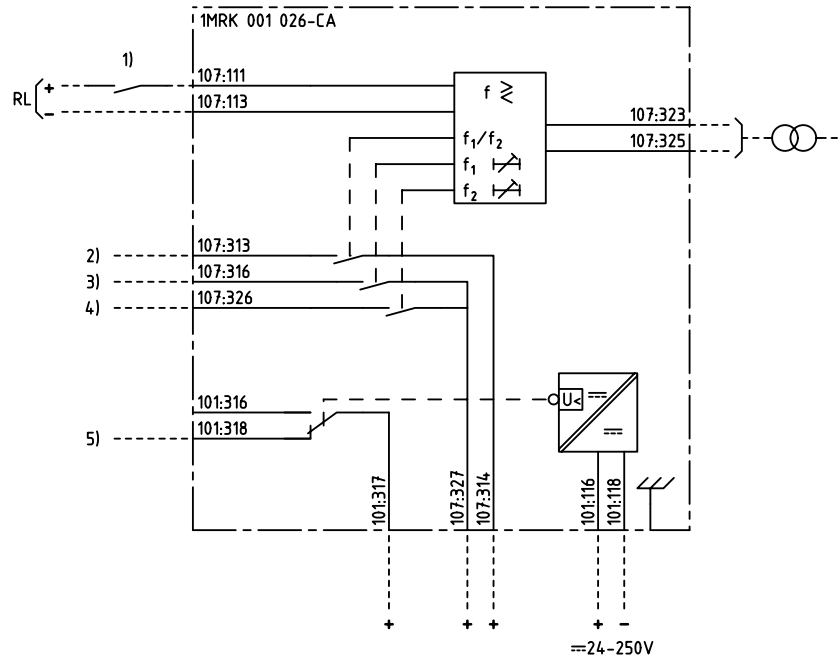


We reserve all rights in this document and in the information contained therein. Reproduction, use for other than intended purposes, or distribution without the written permission of ABB Network Partner AB is strictly forbidden.



OVER- OR UNDERFREQUENCY PROTECTION
ÖVER ELLER UNDERFREKVENSSKYDD

- 1) RESETTING OF INDICATION
ÅTERSTÄLLNING AV INDIKERING
- 2) START STAGE 1/STAGE 2
START STEG 1/STEG 2
- 3) TRIPPING STAGE 1
UTLÖSNING STEG 1
- 4) TRIPPING STAGE 2
UTLÖSNING STEG 2
- 5) LOSS OF AUXILIARY VOLTAGE
BORTFALL AV HJÄLPSPÄNNING

ELCAD ID TPTD/render

DATE 2004-06-2121:58

Issued in ARCADE

Prepared 96-12-06 C-H EINVALL/J ERIKSSON		TERMINAL DIAGRAM/UTTAGSSHEMA			
Approved 97-01-13 Peter Jenøker		RAFK FREQUENCY PROTECTION			
		RAFK FREKVENSSKYDD		Resp dep TPTD Rev ind 1 97.05 Lang en	
Rev Ind	Revision	Reg No 7411	ABB ABB Network Partner AB		1MRK 001 026-CAA
Based on	Pcl 890.546				