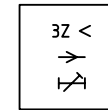
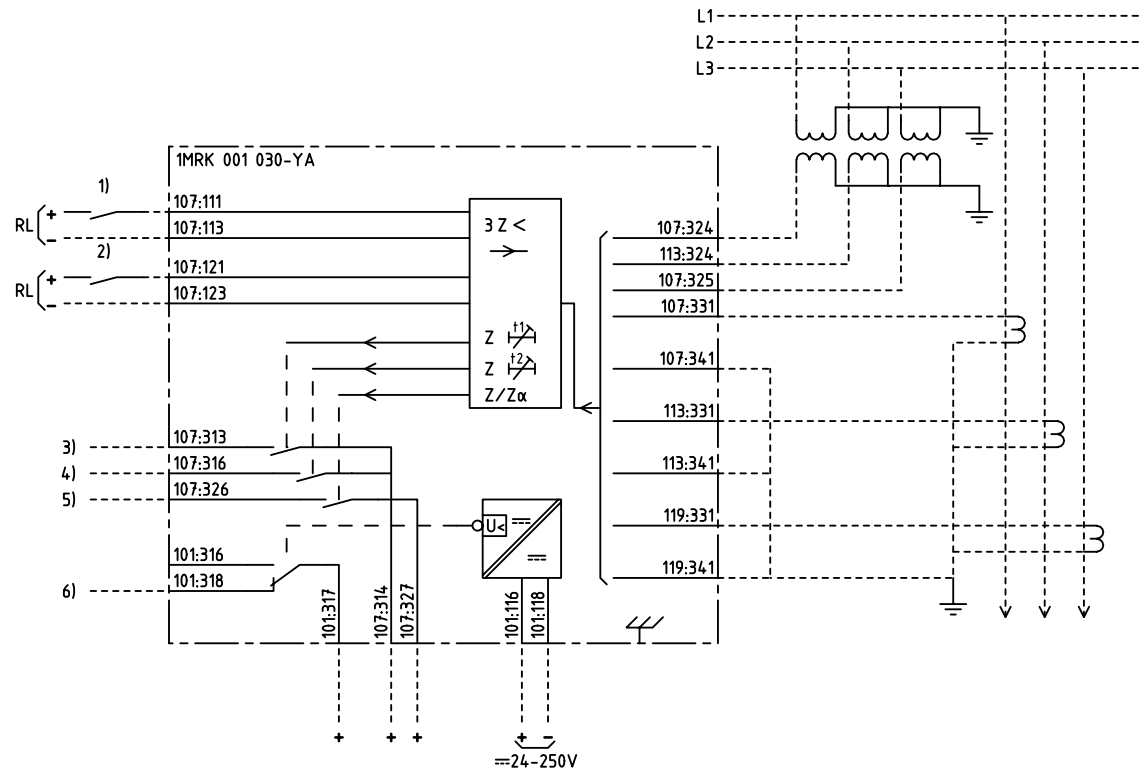


We reserve all rights in this document and in the information contained therein. Reproduction, use for other than intended purposes, or distribution without the written permission of ABB Network Partner AB is strictly forbidden.



3-PH UNDERIMPEDANCE PROTECTION  
 DELAYED  
 3-FAS UNDERIMPEDANDSSKYDD  
 FÖRDRÖJT

- 1) BLOCKING OF ALL FUNCTIONS EXCEPT  $Z\alpha <$  OR  
 BLOCKING OF TRIP  $Z^{I1}$  OR ENABLE OF  $Z/Z\alpha <$   
 OR ACCELERATION OF  $Z^{I2}$  .  
 BLOCKERING AV ALLA FUNKTIONER UTOM  $Z\alpha <$  ELLER  
 BLOCKERING AV UTLÖSNING  $Z^{I1}$  ELLER FRIGIVNING  
 AV  $Z/Z\alpha <$  ELLER ACCELERATION AV  $Z^{I2}$
- 2) RESETTING OF INDICATION  
 ÅTERSTÄLLNING AV INDIKERING
- 3) UNDERIMPEDANCE, TRIPPING STAGE 1  
 UNDERIMPEDANS, UTLÖSNING STEG 1
- 4) UNDERIMPEDANCE, TRIPPING STAGE 2  
 UNDERIMPEDANS, UTLÖSNING STEG 2
- 5) DIRECTIONAL UNDERIMPEDANCE, START  
 RIKTAD UNDERIMPEDANS, START
- 6) LOSS OF AUXILIARY VOLTAGE  
 BORTFALL AV HJÄLPSPÄNNING

ELCAD ID PS/renderer

DATE 2004-06-222:11

Issued in ARCADE

Prepared 97-04-03 H RAZA/JE		TERMINAL DIAGRAM/UTTAGSSCHEMA		Resp dep PS		Rev ind 3 98-03-18		Lang 82	
Approved 97-04-25 P JENÄKER		RAZK 213 3-PHASE UNDERIMPEDANCE PROT.		Rev ind 3 98-03-18		Lang 82		Sheet 1	
Rev Ind Revision		Reg No 7411		Rev ind 3 98-03-18		Lang 82		Sheet 1	
Based on		Pcl 890.557		Rev ind 3 98-03-18		Lang 82		Sheet 1	
				ABB ABB Network Partner AB		1MRK 001 030-YAA		Cont	

1

2

3

4

5

6