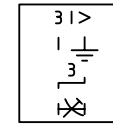
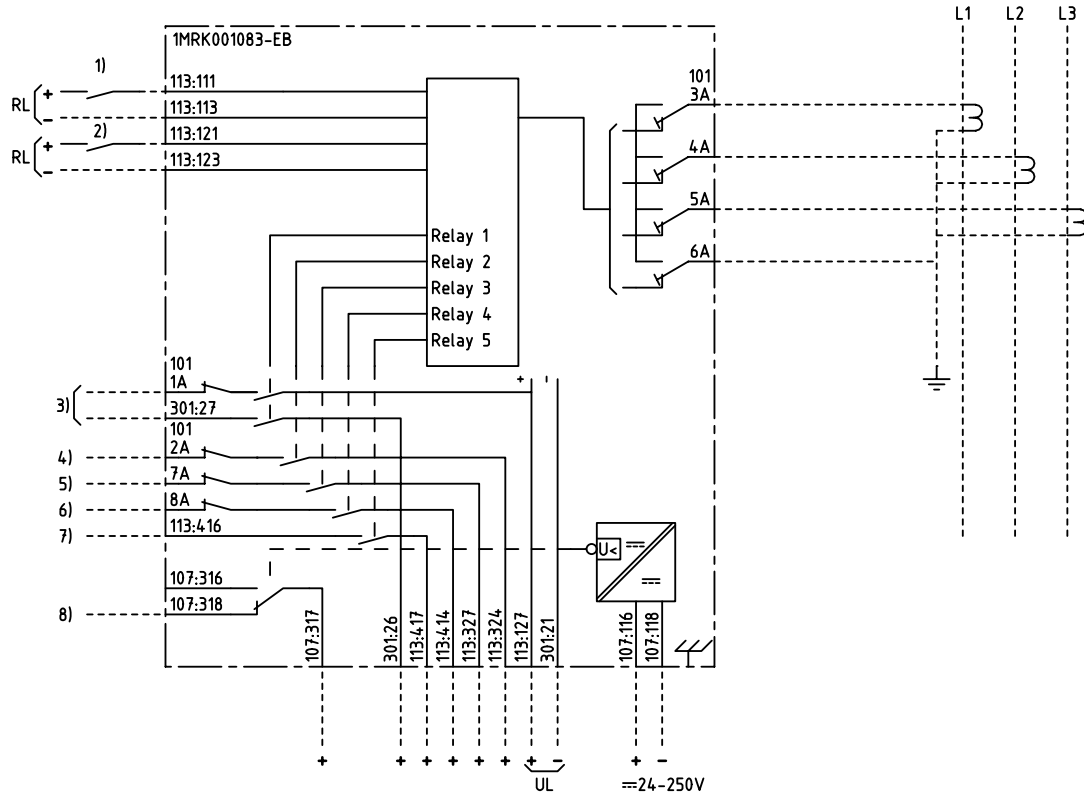
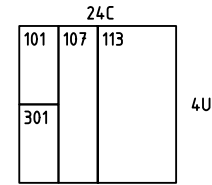


We reserve all rights in this document and in the information contained therein. Reproduction, use or distribution of this document without the written authority of ABB Automation Technologies AB is strictly forbidden.



3-PHASE OVERCURRENT AND EARTH-FAULT PROTECTION



- 101 RTXP 8
- 107 RXTUG 22H
- 113 RXHL 401
- 301 RXME 18

- 1), 2) BINARY INPUT, PROGRAMMABLE
- 3)-7) RELAY OUTPUTS 1-5, PROGRAMMABLE FUNCTION
- 8) LOSS OF AUXILIARY VOLTAGE

PROGRAMMABLE FUNCTIONS FOR BINARY INPUTS:
BLOCKING/ENABLING I>, I>>, I>>>, IN>, IN>>, IN>>>
ALTERNATIVE SETTINGS; RESET OF LED INDICATIONS.

PROGRAMMABLE FUNCTIONS FOR BINARY OUTPUTS:
START AND TRIP I>, I>>, I>>>, IN>, IN>>, IN>>>;
ALTERNATIVE SETTINGS; IN SERVICE

Customer drw no	Prep. PTUA/ TPTD H Raza/JE 2000-01-28	Connection Diagram O/C and E/F protection	Lang. en	Rev. -	Conf. sh/ No of sh
	Appr. PTUA/ Roger Karlsson 2000-02-03				
	Resp. dept PTUA/ TPTD	Document number			
	Based on	ABB ABB Automation Technologies	1MRK001083-EBA		Sheet 1

Document status: Approved