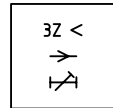
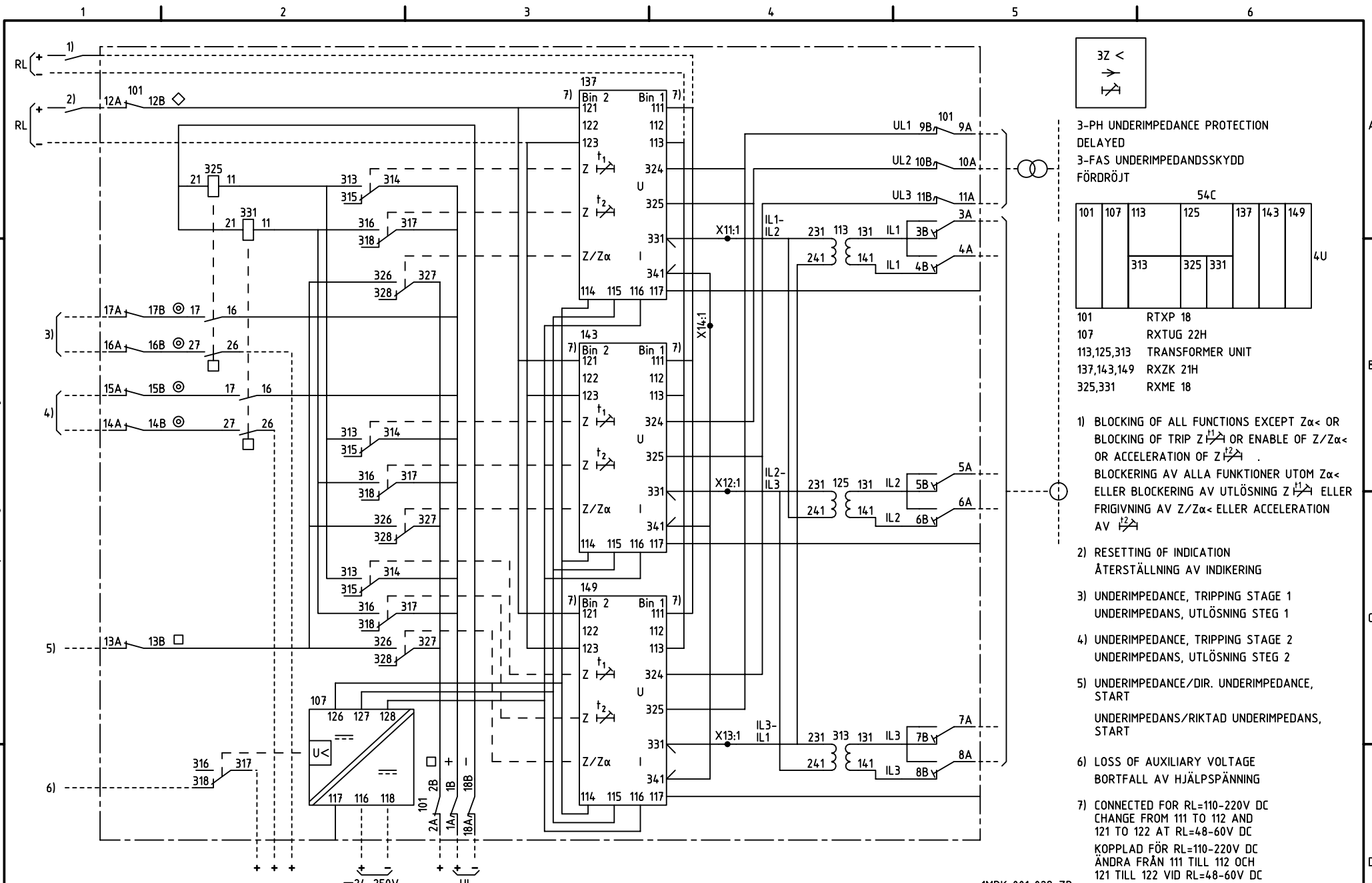


We reserve all rights in this document and in the information contained therein. Reproduction, use or distribution of this document without the written authority is strictly forbidden. © ABB Automation Technologies AB



3-PH UNDERIMPEDANCE PROTECTION
 DELAYED
 3-FAS UNDERIMPEDANSSKYDD
 FÖRDRÖJT

101	107	113	125	137	143	149	4U
		313	325	331			

101 RTXP 18
 107 RXTUG 22H
 113,125,313 TRANSFORMER UNIT
 137,143,149 RXZK 21H
 325,331 RXME 18

- 1) BLOCKING OF ALL FUNCTIONS EXCEPT $Z\alpha <$ OR BLOCKING OF TRIP $Z \overline{I}$ OR ENABLE OF $Z/Z\alpha <$ OR ACCELERATION OF $Z \overline{I}$.
 BLOCKERING AV ALLA FUNKTIONER UTOM $Z\alpha <$ ELLER BLOCKERING AV UTLÖSNING $Z \overline{I}$ ELLER FRIGIVNING AV $Z/Z\alpha <$ ELLER ACCELERATION AV $Z \overline{I}$
- 2) RESETTING OF INDICATION
 ÅTERSTÄLLNING AV INDIKERING
- 3) UNDERIMPEDANCE, TRIPPING STAGE 1
 UNDERIMPEDANS, UTLÖSNING STEG 1
- 4) UNDERIMPEDANCE, TRIPPING STAGE 2
 UNDERIMPEDANS, UTLÖSNING STEG 2
- 5) UNDERIMPEDANCE/DIR. UNDERIMPEDANCE, START
 UNDERIMPEDANS/RIKTAD UNDERIMPEDANS, START
- 6) LOSS OF AUXILIARY VOLTAGE
 BORTFALL AV HJÄLPSPÄNNING
- 7) CONNECTED FOR $RL=110-220V DC$
 CHANGE FROM 111 TO 112 AND 121 TO 122 AT $RL=48-60V DC$
 KOPPLAD FÖR $RL=110-220V DC$
 ÄNDRA FRÅN 111 TILL 112 OCH 121 TILL 122 VID $RL=48-60V DC$

1MRK 001 029-ZB

Customer drw no	Prep. PTUA/ TPTD H Raza/JE	2000-05-09	Circuit Diagram	Cont. sh/ No of sh		
	Appr. PTUA/ Roger Karlsson	2000-05-09			Underimpedance protection	
	Resp. dept PTUA/ TPTD					
Based on	ABB Automation Technologies		Document number	Lang.	Rev.	Sheet
			1MRK001030-ZB	82	A	1

Document status: Approved