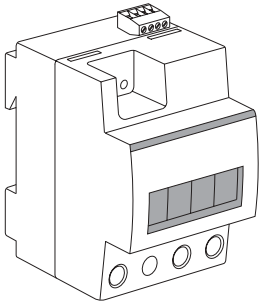


# MINI Meter

Single phase energymeter  
from ABB Cewe



# MINI Meter



## General description

ABB Cewe's MINI Meter is a single-phase active energy meter for applications that do not demand a certified meter. It is a robust meter with LED display that can be read even in dark places.

The MINI Meter can be used as a direct- or transformer connected meter. When used as transformer connected, the meter allows programming of a number (see technical data for selection) of transformer ratios.

The LED display consists of 4-digits, by simply pushing a button two additional digits can be read (4+2). The MINI Meter has as standard the energy consumption shown in kWh without decimal.

The Mini Meter is available with or without pulse output and the assortment includes also a version with reset.

The two push buttons, "Set" and "Scroll", allows programming of the transformer ratio and the pulse output frequency. One are also used to display the two additional integer digits.

The MINI Meter is mainly conceived for DIN-rail mounting, preferably into standard enclosures with DIN-compartments. The width of the meter is equal to only 3 modules.

The MINI Meter is adapted to the ABB proM design.

The MINI Meter has high reliability and it complies to standards IEC61010-1 and EN 61326, with regard to safety requirements and EMC, accuracy class is 2.

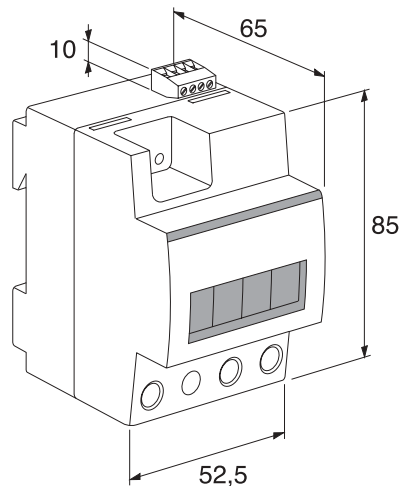
## Single phase – 230 V, single tariff

Art.No.	Type	Description	Selectable pulse output frequencies
<b>Without pulse output</b>			
09 810 80	EE20		
09 810 81	EE20 R	Locally resetable	
<b>With pulse output</b>			
09 810 82	EE22		1,10,100,1000 imp./kWh*
09 810 83	EE22 R	Locally resetable	1,10,100,1000 imp./kWh*
09 810 84	EE22 Rr	Locally and remote resetable	1,10,100,1000 imp./kWh*

\* Pulse output frequency 10 imp/kWh is the default set up at delivery.

Each meter can be used both as direct connected or transformer rated meter. Transformer ratio values 3,10,20,30,40,50,60 can be programmed in the meter to obtain primary reading. The default set up value at delivery is 1.

*When used as transformer rated, the pulse output is primary related.*



# MINI Meter

## Technical data/Connection diagram

Installation category:	III
Accuracy:	+/- 2 %
Start current:	35mA
Basic current:	5 A
Current range:	0,1 to 32 A
Max. fuse:	32 A
Voltage:	1x230 V +/- 10%
Frequency:	50 / 60 Hz
Internal consumption:	1,5 W
Temperature range:	-40 to +70° C
Relative humidity max.	According IEC 1036

### Transformer ratio

Programmable values: 1, 3, 10, 20, 30,40,50, 60. (The default set up at delivery is 1.)

### Pulse output (optional)

Programmable: 1, 10, 100, 1000 imp/kWh. (The default set up at delivery is 10.)  
Max. current: 100 mA  
Pulse length: 100 ms  
Pulse output voltage: 10-40 V, AC or DC  
Max. connection area: 1,5 mm<sup>2</sup>  
Min. connection area: 0,2 mm<sup>2</sup>

### Connection terminals

Max. connection area: 10 mm<sup>2</sup>  
Min. connection area: 1,5 mm<sup>2</sup>

### Reset input terminal (optional)

Max. voltage: 40 V AC or DC  
Function: 10 – 40 V performs a reset  
Max. connection area: 1,5 mm<sup>2</sup>  
Min. connection area: 0,2 mm<sup>2</sup>

### Display

4 digit LED (two additional integer positions can be read by means of scroll button.)

### Enclosure

Material: Polycarbonate  
Degree of protection: IP 20

### Weight

157 g

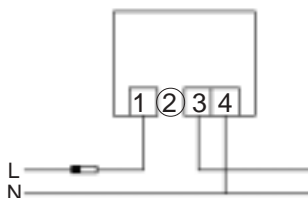
### Standards

IEC 61010 Safety requirements  
EN 61326 EMC

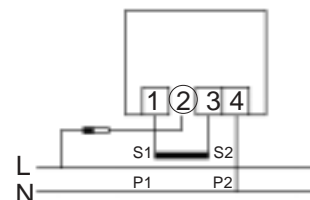
### Documentation:

User manual and Installation Instructions are packed together with the meter.

Direct connection

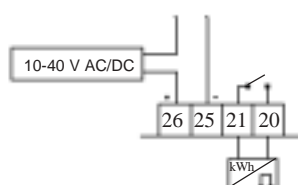


Connection via current transformer



Warning: do not connect the current transformer to neutral or earth

Remote reset, Pulse output



Programming buttons



For Camping sites



For Marines



For Industries



**ABB Cewe**

Box 1005  
S-611 29 Nyköping, Sweden  
Phone Int +46155-29 50 00  
Fax Int +46155-28 81 10