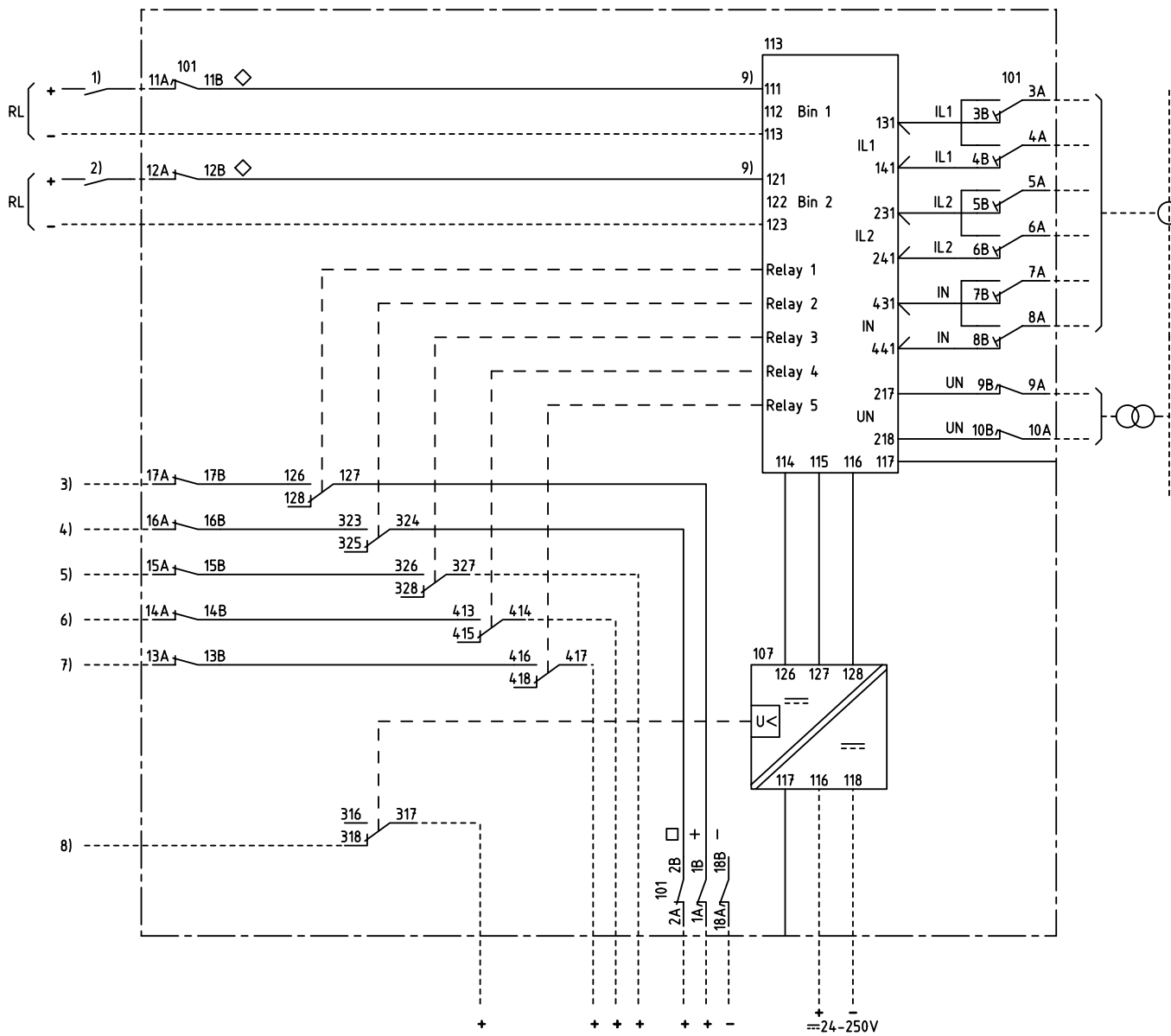
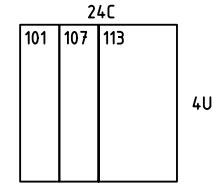


We reserve all rights in this document and in the information contained therein. Reproduction, use for other than intended purposes, or distribution without the written permission of ABB Automation Technologies AB is strictly forbidden.



MULTI-FUNCTION OVERCURRENT AND DIR. EARTH-FAULT PROTECTION



- 101 RTXP 18
- 107 RXTUG 22H
- 113 RXHL 422

- 1), 2) BINARY INPUT, PROGRAMMABLE
- 3)-7) RELAY OUTPUTS 1-5, PROGRAMMABLE FUNCTION
- 8) LOSS OF AUXILIARY VOLTAGE
- 9) CONNECTED FOR RL=110-220V DC
CHANGE FROM 111 TO 112 AND 121 TO 122 AT RL=48-60V DC

PROGRAMMABLE FUNCTIONS FOR BINARY INPUTS:
BLOCKING/ENABLING I<, I>, I>>, DIR IN>, DIR IN>>, DIR IN>>>;
THERMAL RESET 0, BREAKER FAILURE EXTERNAL START,
ALTERNATIVE SETTINGS; RESET OF LED INDICATIONS.

PROGRAMMABLE FUNCTIONS FOR BINARY OUTPUTS:
START AND TRIP I<, I>, I>>, DIR IN>, DIR IN>>, DIR IN>>>;
THERMAL ALARM 0; THERMAL TRIP 0;
BREAKER FAILURE RE-TRIP; BREAKER FAILURE BACK-UP TRIP;
ALTERNATIVE SETTINGS; IN SERVICE

BINARY INPUT OPTIONS:
CIRCUIT-BREAKER CLOSED; CIRCUIT-BREAKER READY;
BLOCKING OF AUTORECLOSING; AUTORECLOSING EXTERNAL ON.

BINARY OUTPUT OPTIONS:
AUTORECLOSING ON; AUTORECLOSING READY;
AUTORECLOSING STARTED;
AUTORECLOSING PULSE TO CIRCUIT-BREAKER;
AUTORECLOSING UNSUCCESSFUL; INTENTIONAL OVERREACH TRIP.

1MRK 001 994-BA

Customer drw no	Prep. PTUA/ TPTD H Raza/JE	2000-05-29	Circuit Diagram	Cont. sh/ No of sh
	Appr. PTUA/ Roger Karlsson	2000-05-29	Multi-funct current prot	
	Resp. dept PTUA/ TPTD			
Based on	ABB ABB Automation Technologies		Document number 1MRK001995-BA	Lang. en Rev. A Sheet 1

Document status: Approved