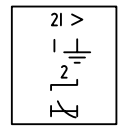
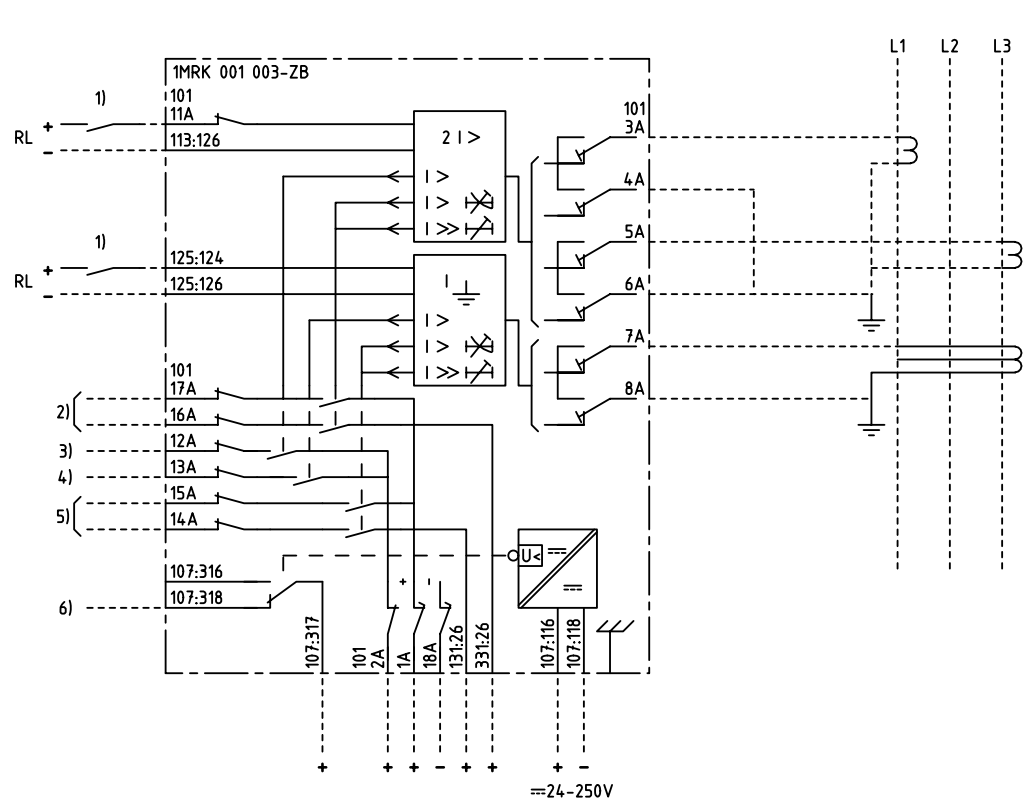


We reserve all rights in this document and in the information contained therein. Reproduction, use for other purposes or disclosure without the written consent of ABB Automation Technologies AB is strictly forbidden.



2-PHASE OVERCURRENT AND EARTH-FAULT PROTECTION
2-FAS ÖVERSTRÖMS- OCH JORDFELSSKYDD

36C					
101	107	113	119	125	131
					331
					4U

101	RTXP 18
107	RXTUG 22H
113,119,125	RXIDK 2H
131,331	RXME 18

- 1) ENABLE, BLOCK OR INCREASED OP.VALUE
FRIGIVNING, BLOCKERING ELLER ÖKAT
FUNKTIONSVÄRDE
- 2) OVERCURRENT, TRIPPING
ÖVERSTRÖM, UTLÖSNING
- 3) START, OVERCURRENT
START, ÖVERSTRÖM
- 4) START, EARTH-FAULT
START, JORDFEL
- 5) EARTH-FAULT, TRIPPING
JORDFEL, UTLÖSNING
- 6) LOSS OF AUXILIARY VOLTAGE
BORTFALL AV HJÄLPSPÄNNING

Customer drw no	Prep. PTUA/ TPTD H Raza/JE 1999-09-29	Connection Diagram	Issued in ARELAD	No of sh	
	Appr. PTUA/ Roger Karlsson 1999-09-29				RAIDK 3 Overcurrent prot
	Resp. dept PTUA/ TPTD	Document number	Lang.	Rev.	Sheet
Based on	ABB ABB Automation Technologies	1MRK001003-ZBA	en	1	1

Document status: Approved