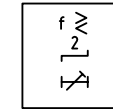
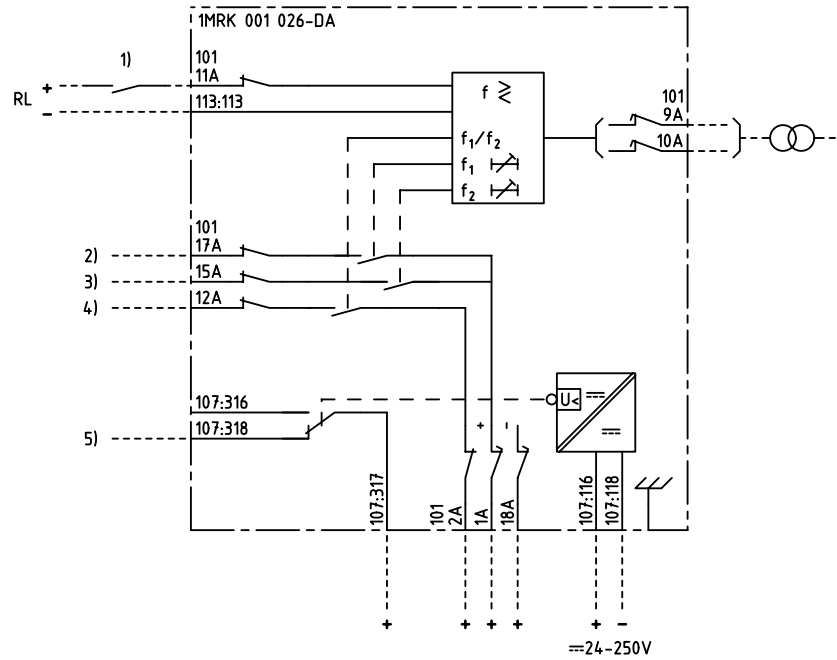


We reserve all rights in this document and in the information contained therein. Reproduction, use for other than intended purposes, or distribution without the written permission of ABB Network Partner AB is strictly forbidden.



OVER- OR UNDERFREQUENCY PROTECTION  
ÖVER ELLER UNDERFREKVENSSKYDD

- 1) RESETTING OF INDICATION  
ÅTERSTÄLLNING AV INDIKERING
- 2) TRIPPING STAGE 1  
UTLÖSNING STEG 1
- 3) TRIPPING STAGE 2  
UTLÖSNING STEG 2
- 4) START STAGE 1/STAGE 2  
START STEG 1/STEG 2
- 5) LOSS OF AUXILIARY VOLTAGE  
BORTFALL AV HJÄLPPSPÄNNING

ELCAD ID TPTD/render

DATE 2004-06-231:31

Issued in ARCADE

Prepared 96-07-04 C-H EINVALL/J ERIKSSON		TERMINAL DIAGRAM/UTTAGSSCHEMA	
Approved 96-08-28 Peter Jenøker		RAFK FREQUENCY PROTECTION	
		RAFK FREKVENSSKYDD	
Rev Ind	Revision	Reg No 7411	Resp dep TPTD Rev ind 1 97.05
Based on	Pcl 890.546	Lang en	
		Sheet 1	
		Cont	

**ABB** ABB Network Partner AB

**MRK 001 026-DAA**