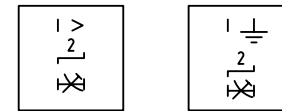
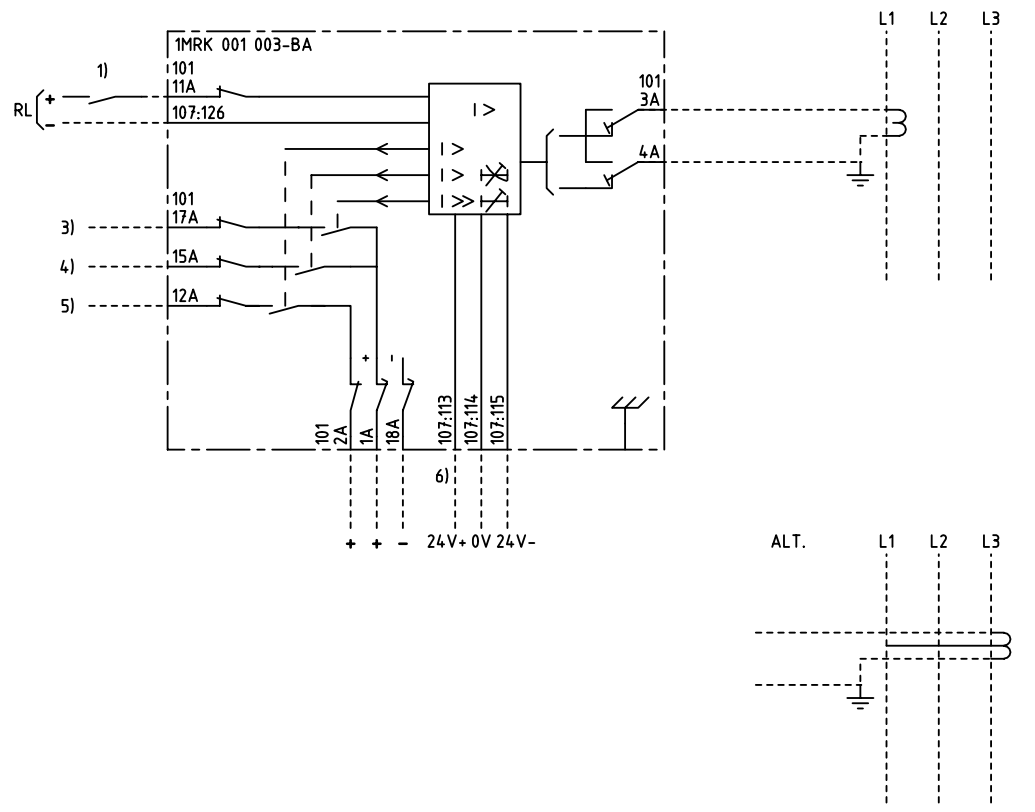


We reserve all rights in this document and in the information contained therein. Reproduction, use for other than intended purposes, without the written consent of ABB Network Partner AB is strictly forbidden.



1-PHASE OVERCURRENT PROTECTION OR
 EARTH-FAULT PROTECTION
 1-FAS ÖVERSTRÖMS- ELLER JORDFELSSKYDD

1) ENABLE, BLOCK OR INCREASED OP.VALUE
 FRIGIVNING, BLOCKERING ELLER ÖKAT
 FUNKTIONSVÄRDE

3) HIGH SET STAGE, TRIPPING
 HÖGSTRÖMSSTEG, UTLÖSNING

4) LOW SET STAGE, TRIPPING
 LÅGSTRÖMSSTEG, UTLÖSNING

5) LOW SET STAGE, START
 LÅGSTRÖMSSTEG, START

6) MUST BE ENERGIZED FROM RXTUG 21/22H
 MÅSTE MATAS FRÅN RXTUG 21/22H

ELCAD ID PAT/render

DATE 2004-06-2220:40

Issued in ARCADE

Prepared 96-12-06 H RAZA/J ERIKSSON		TERMINAL DIAGRAM/UTTAGSSCHEMA		Resp dep PAT		Rev Ind -		Lang 82		
Approved 97-01-21 P JENÅKER		RAIDK 1 OVERCURRENT PROTECTION		Sheet 1		Cont				
RAIDK 1 ÖVERSTRÖMSKYDD		ABB ABB Network Partner AB		1MRK 001 003-BAA						
Rev Ind	Revision	Reg No 7411								
Based on	Pcl 890 474									

1

2

3

4

5

6