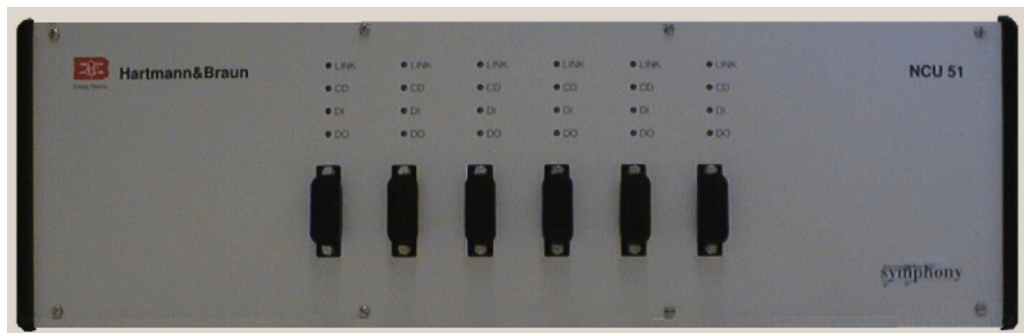


## NCU 51 Passive Network Concentrator

### 1 Features



Appearance may differ from picture

- Network components for connection of the participants in a Maestro UX network
- Network constructed on the basis of ISO/IEC 8802-3 (Ethernet)
- Different physical channel lengths depending on the transmission medium
- AUI and 10Base2 wiring can be connected

### 2 Application

- Realization of the Xnet bus system used in the Maestro UX
- Construction of decentralized structures into which participants can be inserted without side-effects
- Construction of an Ethernet structure with AUI wiring (10Base2 connections with terminating resistors).
- Construction of an Ethernet structure with AUI and 10Base2 wiring.
- Connection of up to 6 AUI cables
- Connection of 10Base2 wiring (no minimum separation from one NCU 51 to another necessary).

Assembly made easier through use of NCU 51 instead of individual plug-in transceivers.

### 3 Description

Passive network concentrators provide branching and connection points within the network.

The NCU 51 (passive) network concentrator is designed for the technical realization of Xnet. The work involved in assembly is reduced to a minimum through use of the NCU 51.

The NCU 51 can be used

- as a desktop device,
- for mounting under the desk,
- for wall-mounting,
- for fitting in 19" cabinets

Local networks meeting ISO/IEC 8802-3 standard (Ethernet, 10 MBit/s, CSMA/CD-access procedure, TCP/IP protocol) provide the basis for an open network architecture.

The physical Xnet can be constructed with a combination of

- coaxial cable (10BASE2),
- optical fibre,
- AUI cable

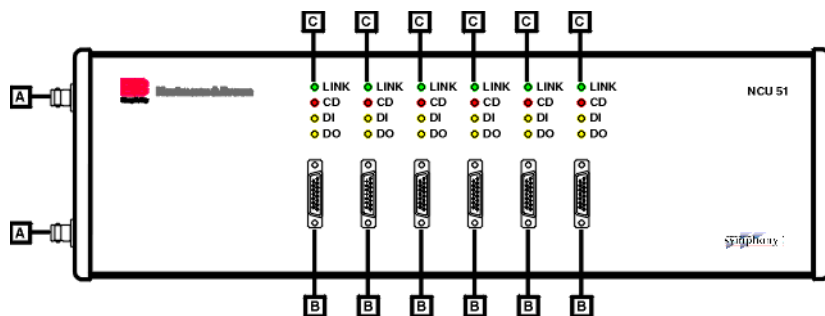
as media.

The NCU 51 (passive) network concentrator is a collection of multiple transceivers. It is provided with two 10Base2 connections and 6 AUI connections.

**Note:**

- For certifications see Data Sheet 10/72-0.11, "Standard Data".
- For the layout and structure of the local networks see Technical Information 30/72-6211.

### 4 Connections and Signalling



A	2 connections for 10Base2 cable or termination resistors	
B	6 connections for AUI cable	
C	4 LEDs for signalling	
	LINK (green)	Ethernet connection present
	CD (red)	Ethernet collision indicator
	DI (yellow)	Data being received
DO (yellow)	Data being sent	

## 5 Technical Data

Model	Type	NCU 51	
Dimensions		19 " version	Desktop version
	Net weight-Width	19" (483 mm) (without BNC connection)	approx. 1.9 kg446 mm (without BNC connection)
Front panel	Color	RAL 7035 Display 4 LEDs per AUI connection	
Connections		6 x AUI 2 x BNC for 10Base2	
Ethernet data		The NCU 51 network concentrator appears to Ethernet as a 2.1 m length of 50 Ohm cable. No minimum separation needs to be maintained between two NCU 51s.	
Voltage supply		Voltage is supplied via the AUI interface.	
Depth	66 mm	77.5 mm (with foot)	

## 6 Ordering information

Order number		Description	Delivery time
NCU 51 (passive) network concentrator for Ethernet			
72393-0-	x 0 0 0 0 0	x	Basic housing with <ul style="list-style-type: none"> <li>• 2 BNC/BNC through-connectors (10Base2)</li> <li>• 1 double pack NP210 termination resistors</li> <li>• 6 AUI connectors</li> </ul>
72393-0-	x 0 0 0 0	0	x
2			Accessories for mounting under bench
3			Accessories for wall mounting
4			19" cabinet fitting
		1	Single device supply
		2	Mounted in cabinet / desk



Industriestraße 28  
65729 Eschborn  
Tel. (06196) 800-0  
Fax (06196) 800-11 19

Höseler Platz 2  
42567 Heiligenhaus  
Tel. (0 20 56) 12- 0  
Fax (0 20 56) 12- 56 79

Kohlstraße 4  
32425 Minden  
Tel. (05 71) 830- 0  
Fax (05 71) 830- 11 05

## **ABB Automation Products**