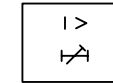
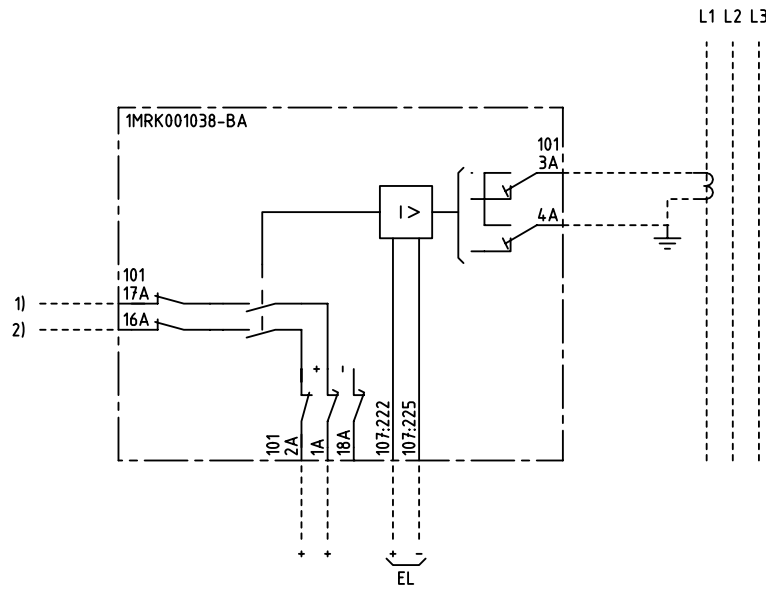
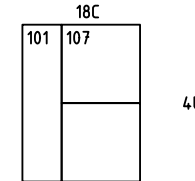


We reserve all rights in this document and in the information contained therein. Reproduction, use for other than intended purposes, or distribution without the written permission of ABB Automation Technologies AB is strictly forbidden.



1-PHASE OVERCURRENT PROTECTION  
 1-FAS ÖVERSTRÖMSSKYDD



101 RTXP 18  
 107 RXIG 2

1) TRIPPING ETC.  
UTLÖSNING M.M.

2) ALARM ETC.  
SIGNAL M.M.

Customer drw no	Prep. PTUA/ TPTD H Raza/JE 1999-11-10	Connection Diagram	Conf. sh/ No of sh
	Appr. PTUA/ Roger Karlsson 1999-11-23		
	Resp. dept PTUA/ TPTD	Document number	Sheet
Based on	<b>ABB</b> ABB Automation Technologies		
		Lang.	Rev.
		82	-

Document status: Approved