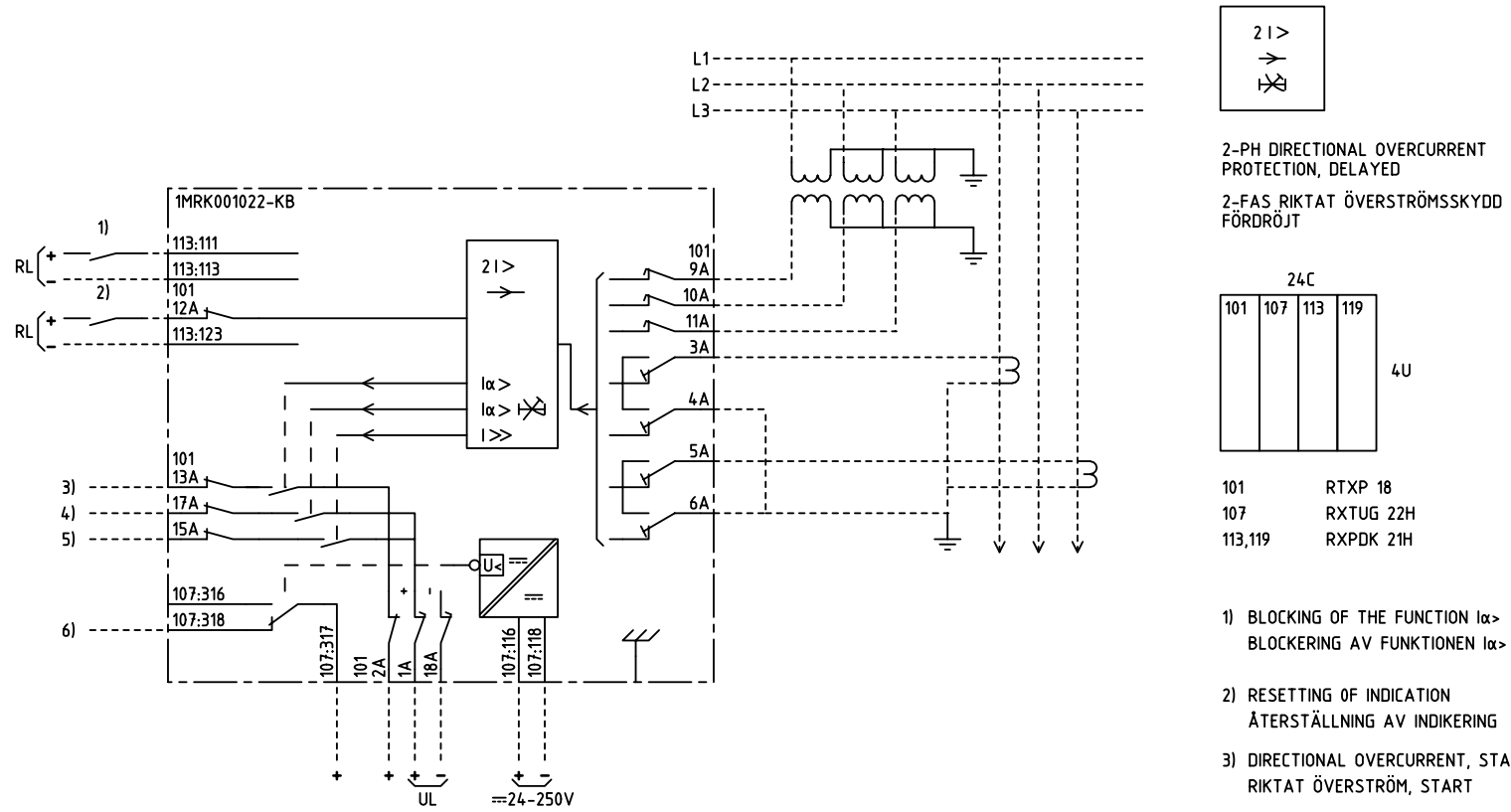
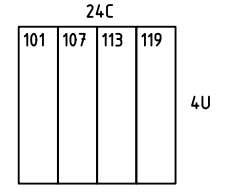


We reserve all rights in this document and in the information contained therein. Reproduction, use for other than intended purposes, or distribution without the written consent of ABB Automation Technologies AB is strictly forbidden. © ABB Automation Technologies AB



2-PH DIRECTIONAL OVERCURRENT PROTECTION, DELAYED
 2-FAS RIKTAT ÖVERSTRÖMSSKYDD FÖRDRÖJT



101 RTXP 18
 107 RXTUG 22H
 113,119 RXPDK 21H

- 1) BLOCKING OF THE FUNCTION $I\alpha >$
- 2) RESETTING OF INDICATION
ÅTERSTÄLLNING AV INDIKERING
- 3) DIRECTIONAL OVERCURRENT, START
RIKTAT ÖVERSTRÖM, START
- 4) DIRECTIONAL OVERCURRENT, TRIPPING
RIKTAT ÖVERSTRÖM, UTLÖSNING
- 5) HIGH CURRENT, TRIPPING
HÖGSTRÖMSSTEG, UTLÖSNING
- 6) LOSS OF AUXILIARY VOLTAGE
BORTFALL AV HJÄLPSPÄNNING

Customer drw no	Prep. PTUA/ TPTD H Raza/JE 1999-03-29	Connection Diagram	Conf. sh/ No of sh
	Appr. PTUA/ Roger Karlsson 1999-05-21		
	Resp. dept PTUA/ TPTD	Document number	Sheet
Based on	ABB ABB Automation Technologies	1MRK001022-KBA	1
		Lang. en	Rev. -

Document status: Approved