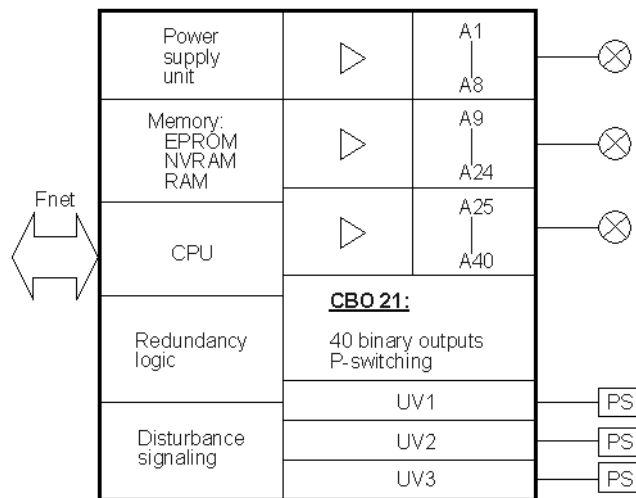


CBO 21 - Binary output module

Features / application



- 40 binary outputs (P-switching)
- Current carrying capacity of the power outputs: $I = 110 \text{ mA}$ with $U = 24 \text{ V}$
- Switching states of the binary outputs when lamps or LEDs are activated:
 - Off
 - On: Continuously lit
- Supply and fusing of the binary outputs in three groups
- Module is capable of redundant operation
- Monitoring of the module

The CBO 21 binary output module can be used for the following tasks:

- Output of any number of binary signals
- Activation of coupling relays
- Activation of lamps or LEDs

Technical data

Output voltage:	$U_{\text{high}} = +16.5 \dots 33.0 \text{ V DC}$ $U_{\text{low}} = \text{Output (high-resistance)}$
Output current:	$I_{\text{high}} < 150 \text{ mA}$ (overload- and short-circuit-proof) $I_{\text{nom}} = 110 \text{ mA}$ where $U = 24 \text{ V}$ $I_{\text{low}} < 0.05 \text{ mA}$
Ambient temperature:	$0 \dots 50 \text{ }^\circ\text{C}$ (temperature for venting of module in rack)
Voltage supply (CBO 21):	$U_v = 20 \dots 33 \text{ V DC}$
Fuse (front panel):	Glass fuse link 5×20 3.15 A slow-blowing T 3.15 H
Voltage supplies (binary outputs):	$U_{v1} = 20 \dots 33 \text{ V DC}$ $U_{v2} = 20 \dots 33 \text{ V DC}$ $U_{v3} = 20 \dots 33 \text{ V DC}$
Fuse (binary outputs):	Glass fuse link 5×20 3.15 A slow-blowing T 3.15 H One fuse per U_{v1} , U_{v2} , and U_{v3} on the adapter card
Permitted overvoltages for voltage supply (CBO 21):	35 V (for 1 s) 45 V (for 10 ms)
Current drain (reference current):	$I_v = 105 \text{ mA}$ typ. where $U_v = 24 \text{ V}$ (power outputs disabled)
Current drain (binary outputs):	$I_{v1} = 28 \text{ mA}$ typ. + load (for termination unit A) $I_{v2} = 56 \text{ mA}$ typ. + load (for termination unit B) $I_{v3} = 56 \text{ mA}$ typ. + load (for termination unit C)
Power loss:	Max. 15 W (with $40 \times I_A = 100 \text{ mA}$)

Ordering Information

Catalog No.								Description	
73115-4-	0	7	8	8	7	1	0	CBO 21 - Binary output module	
Additional Order Information									
								Former System Packet (Indicate Version)	BA-No. 601
Necessary Accessories:									
72199-4-	0	7	4	5	2	1	3	CI 100 Connection Unit, grey, Standard Version, Basic	
	0	7	4	5	2	0	3	CI 101 Connection Unit, grey, Standard Version, Redundant 8 TE	
72199-4-	0	7	8	9	4	4	1	Cable Clamps	



Industriestraße 28
65729 Eschborn
Tel. (06196) 800-0
Fax (06196) 800-11 19

Höseler Platz 2
42567 Heiligenhaus
Tel. (0 20 56) 12- 0
Fax (0 20 56) 12- 56 79

Kohlstraße 4
32425 Minden
Tel. (05 71) 830- 0
Fax (05 71) 830- 11 05

ABB Automation Products