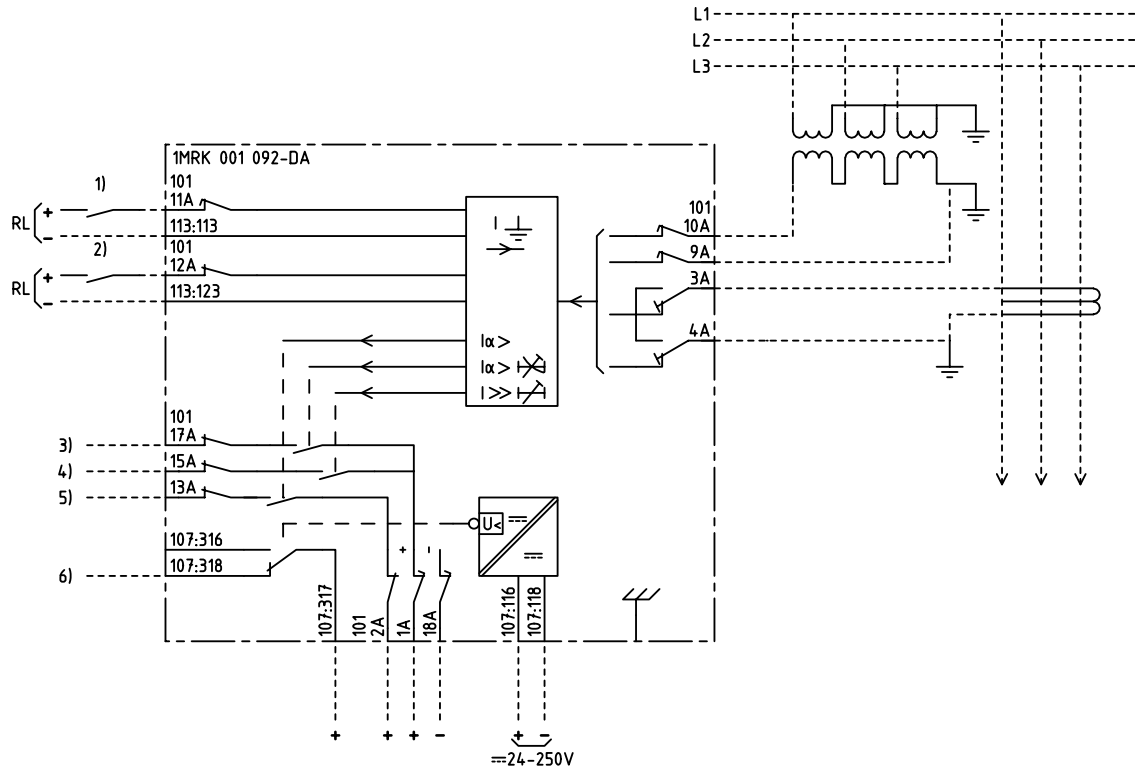
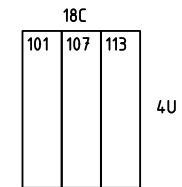


We reserve all rights in this document and in the information contained therein. Reproduction, use or distribution of this document without the written authority of ABB Automation Technologies AB is strictly forbidden. © ABB Automation Technologies AB



DIRECTIONAL EARTH FAULT PROTECTION, DELAYED

RIKTAT JORDFELSSKYDD, FÖRDRÖJT



101 RTXP 18  
107 RXTUG 22H  
113 RXPDK 23H

- 1) BLOCKING/ENABLING ONLY OF  $I_{\alpha >}$  AND  $I_{>}$   
BLOKERING/FRIGIVNING ENDAST AV  $I_{\alpha >}$  OCH  $I_{>}$
- 2) RESETTING OF INDICATION  
ÅTERSTÄLLNING AV INDIKERING
- 3) DIRECTIONAL EARTH FAULT, TRIPPING  
RIKTAT JORDFEL, UTLÖSNING
- 4) EARTH FAULT, TRIPPING  
JORDFEL, UTLÖSNING
- 5) DIRECTIONAL EARTH FAULT, START  
RIKTAT JORDFEL, START
- 6) LOSS OF AUXILIARY VOLTAGE  
BORTFALL AV HJÄLPSPÄNNING

Customer drw no	Prep. PTUA/ TPTD H Raza/JE 1998-10-30	Connection Diagram	Conf. sh/ No of sh
	Appr. PTUA/ Roger Karlsson 1999-02-02		
Based on	Resp. dept PTUA/ TPTD	Document number	Lang.
		<b>1MRK001092-DAA</b>	en
		Rev.	Sheet
		-	1

Document status: Approved