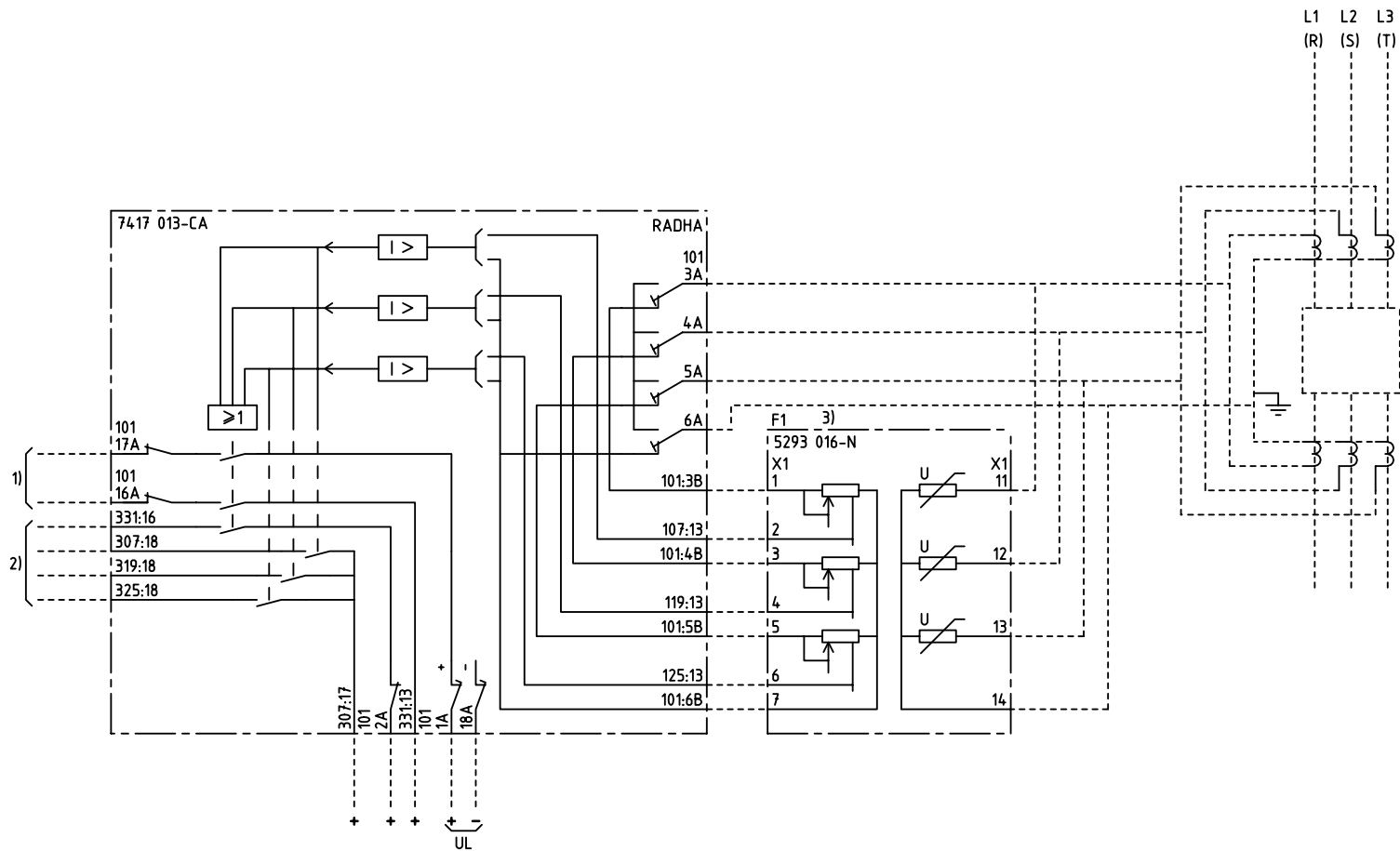


We reserve all rights in this document and in the information contained therein. Reproduction, use or distribution of this document without the written permission of ABB Automation Technologies AB is strictly forbidden.



3I<sub>d</sub> >

3-PHASE HIGH IMPEDANCE  
DIFFERENTIAL PROTECTION FOR  
Us=(100)-400V

3-FAS HÖGIMPEDANS  
DIFFERENTIALSKYDD FÖR  
Us=(100)-400V

36C					
101	107	113	119	125	131
	307	313	319	325	331
4U					

- 101            RTXP 18
- 107 119 125    RXTLA 1
- 113 131 313    RXTCA 1
- 307 319 325    RXID 1
- 331            RXSF 1
- F1            RESISTOR UNIT

- 1) TRIP ETC.  
UTLÖSNING M.M
- 2) ALARM ETC.  
SIGNAL M.M
- 3) SEPARATELY MOUNTED  
SEPARAT MONTERAD

Customer drw no	Prep. PTUA/ TPTD Eriksson Jill	2003-02-05	Connection Diagram Differential protection		Conf. sh/ No of sh
	Appr. PTUA/ SA/DP Jonsson Patrik	2003-02-07			
	Resp. dept PTUA/ TPTD		Document number	Lang.	Rev.
Based on	<b>ABB</b> ABB Automation Technologies		<b>7417013-CAA</b>	en	A
				Sheet	1

Document status: Approved