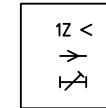
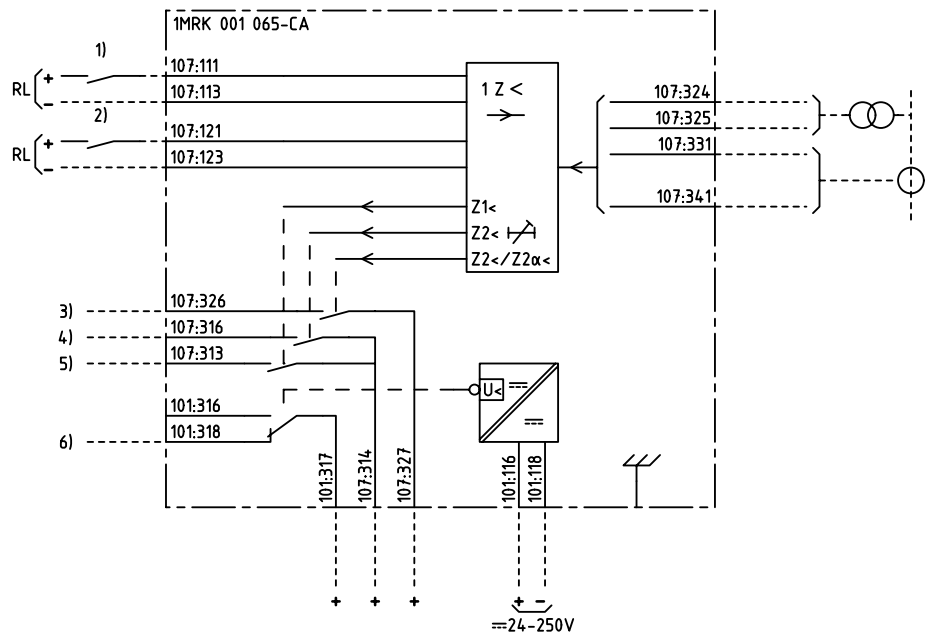


We reserve all rights in this document and in the information contained therein. Reproduction, use for other than intended purposes, or distribution without the written consent of ABB Network Partner AB is strictly forbidden.



1-PH UNDERIMPEDANCE PROTECTION  
 DELAYED  
 1-FAS UNDERIMPEDANSSKYDD  
 FÖRDRÖJT

- 1) BLOCKING OF ALL THE FUNCTIONS EXCEPT Z2α<, FUNCTION Z2< CHANGES TO AN INSTANTANEOUS FUNCTION.  
 BLOCKERING AV ALLA FUNKTIONER UTOM Z2α<, FUNKTION Z2< ÄNDRAS TILL MOMENTAN FUNKTION.
- 2) RESETTING OF INDICATION  
 ÅTERSTÄLLNING AV INDIKERING
- 3) UNDERIMPEDANCE Z2α<, START UNDERIMPEDANS Z2α<, START
- 4) UNDERIMPEDANCE Z2<, TRIPPING UNDERIMPEDANS Z2<, UTLÖSNING
- 5) UNDERIMPEDANCE Z1<, TRIPPING UNDERIMPEDANS Z1<, UTLÖSNING
- 6) LOSS OF AUXILIARY VOLTAGE  
 BORTFALL AV HJÄLPSPÄNNING

ELCAD ID PS/render

DATE 2004-06-232:10

Issued in ARCADE

Prepared 97-09-30 H RAZA/JE		TERMINAL DIAGRAM/UTTAGSSCHEMA		Resp dep PS		Rev ind 1 97.45		Lang 82	
Approved 97-10-13 P JENÄKER		RAZK 221 1-PHASE UNDERIMPEDANCE PROT.		1MRK 001 065-CAA		Sheet 1			
Reg No 7411		RAZK 221 1-FAS UNDERIMPEDANSSKYDD		Cont					
Based on Pcl 890.557		ABB ABB Network Partner AB							

1

2

3

4

5

6