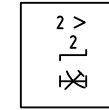
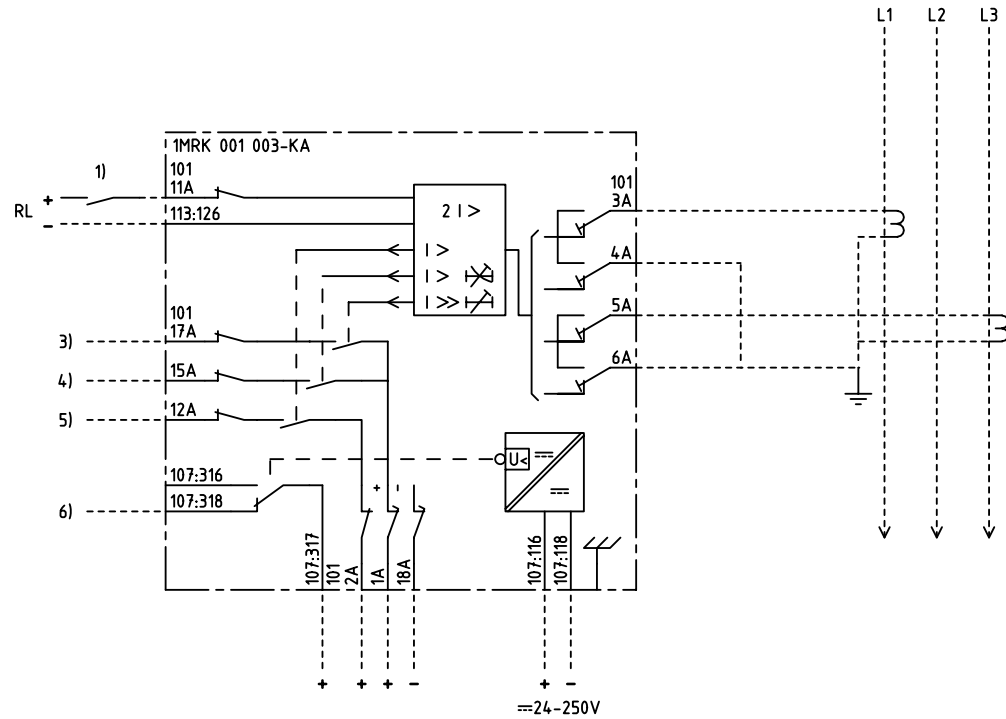


We reserve all rights in this document and in the information contained therein. Reproduction, use for other than intended purposes, or distribution without the written consent of ABB Network Partner AB is strictly forbidden.



2-PHASE OVERCURRENT PROTECTION
2-FAS ÖVERSTRÖMSSKYDD

- 1) ENABLE, BLOCK OR INCREASED OP.VALUE
FRIGIVNING, BLOCKERING ELLER ÖKAT
FUNKTIONSVÄRDE
- 3) HIGH SET STAGE, TRIPPING
HÖGSTRÖMSSTEG, UTLÖSNING
- 4) LOW SET STAGE, TRIPPING
LÅGSTRÖMSSTEG, UTLÖSNING
- 5) LOW SET STAGE, START
LÅGSTRÖMSSTEG, START
- 6) LOSS OF AUXILIARY VOLTAGE
BORTFALL AV HJÄLPSPÄNNING

ELCAD ID PAT/render

DATE 2004-06-222:17

Issued in ARCADE

Prepared 96-05-03 H RAZA/J ERIKSSON		TERMINAL DIAGRAM/UTTAGSSCHEMA		Resp dep PAT		Rev Ind -		Lang 82	
Approved 96-06-19 P JENÄKER		RAIDK 2 OVERCURRENT PROTECTION		Sheet 1					
		RAIDK 2 ÖVERSTRÖMSSKYDD		Cont					
Rev Ind	Revision	Reg No	7411	ABB ABB Network Partner AB		1MRK 001 003-KAA			
Based on		Pcl	890 474						

1

2

3

4

5

6