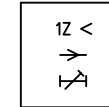
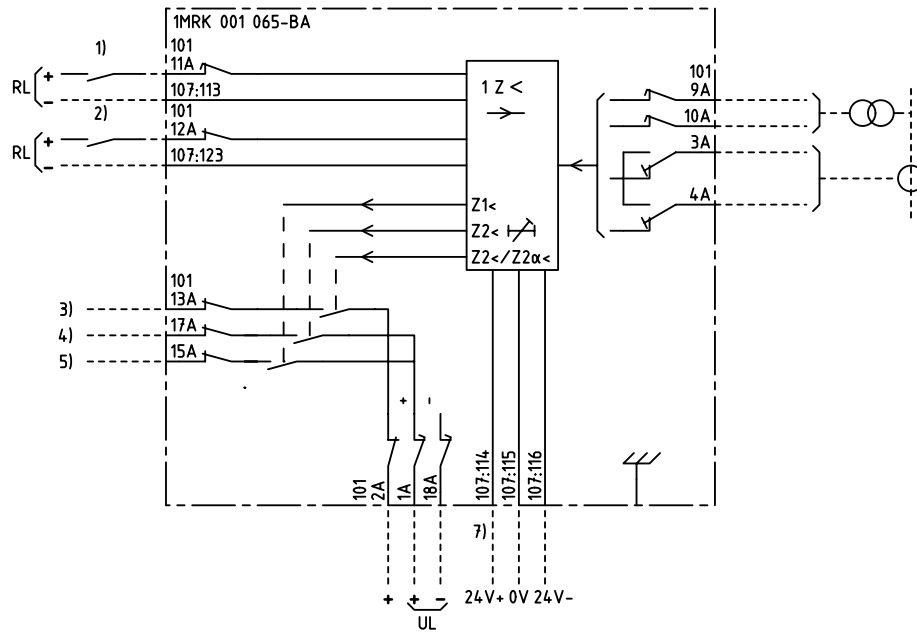


We reserve all rights in this document and in the information contained therein. Reproduction, use for other than intended purposes, without the written consent of ABB Network Partner AB is strictly forbidden.



1-PH UNDERIMPEDANCE PROTECTION  
 DELAYED  
 1-FAS UNDERIMPEDANDSSKYDD  
 FÖRDRÖJT

- 1) BLOCKING OF ALL THE FUNCTIONS EXCEPT Z2α<, FUNCTION Z2< CHANGES TO AN INSTANTANEOUS FUNCTION.  
 BLOCKERING AV ALLA FUNKTIONER UTOM Z2α<, FUNKTION Z2< ÄNDRAS TILL MOMENTAN FUNKTION.
- 2) RESETTING OF INDICATION  
 ÅTERSTÄLLNING AV INDIKERING
- 3) UNDERIMPEDANCE Z2</Z2α<, START  
 UNDERIMPEDANS Z2</Z2α<, START
- 4) UNDERIMPEDANCE Z2<, TRIPPING  
 UNDERIMPEDANS Z2<, UTLÖSNING
- 5) UNDERIMPEDANCE Z1<, TRIPPING  
 UNDERIMPEDANS Z1<, UTLÖSNING
- 7) MUST BE ENERGIZED FROM RXTUG 21/22H  
 MÅSTE MATAS FRÅN RXTUG 21/22H

ELCAD ID PS/render

DATE 2004-06-231:04

Issued in ARCADE

Prepared 97-09-30 H RAZA/JE		TERMINAL DIAGRAM/UTTAGSSCHEMA		Resp dep PS		Rev ind 1 97.45		Lang 82	
Approved 97-10-13 P JENÅKER		RAZK 221 1-PHASE UNDERIMPEDANCE PROT.		Sheet 1		Cont			
Rev Ind		Revision		Reg No 7411		Based on		Pcl 890.557	
						ABB Network Partner AB		<b>1MRK 001 065-BAA</b>	

1

2

3

4

5

6