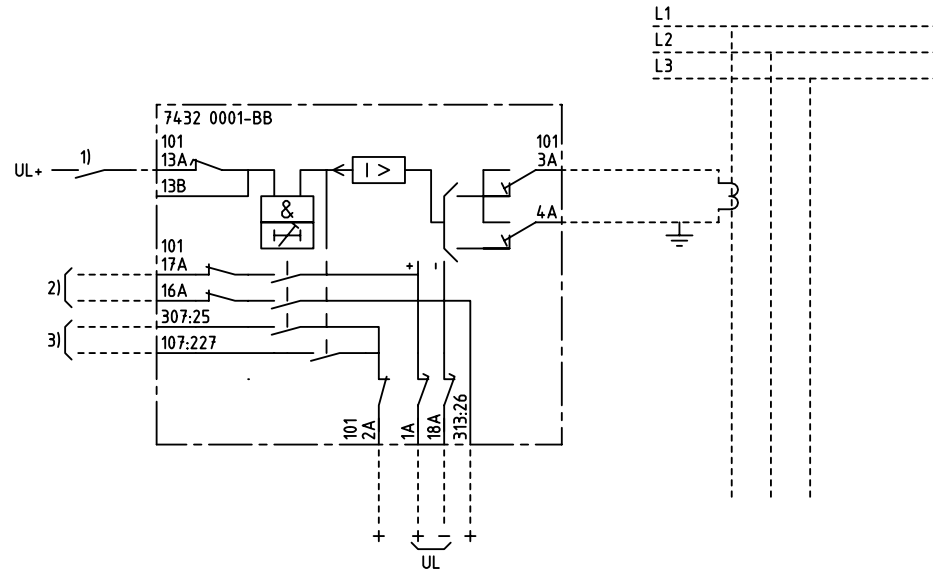


We reserve all rights in this document and in the information contained therein. Reproduction, use for other purposes or distribution without the written consent of ABB Network Partner AB is strictly forbidden.



EARTH-FAULT OR 1-PHASE  
 OVERCURRENT PROTECTION,  
 DELAYED  
 JORDFELS- ELLER 1-FAS  
 ÖVERSTRÖMSSKYDD, FÖRDRÖJT

- 1) ENABLING  
FRIGIVNING
- 2) TRIPPING ETC.  
UTLÖSNING M.M.
- 3) ALARM ETC.  
SIGNAL M.M.

ELCAD ID PAT/render      DATE 2004-06-221:45      Issued in ARCADE

Prepared 81 45		C-H EINVALL		TERMINAL DIAGRAM/UTTAGSSCHEMA			
Approved 81 45		P JENÅKER		OVERCURRENT PROTECTION			
				ÖVERSTRÖMSSKYDD		Resp dep PAT    Rev ind 2 96 45    Lang 82	
Rev Ind	Revision	Reg No	7432	ABB ABB Network Partner AB		7432 0001-BBA	
Based on		Pcl	890.651			Sheet 1	
						Cont	