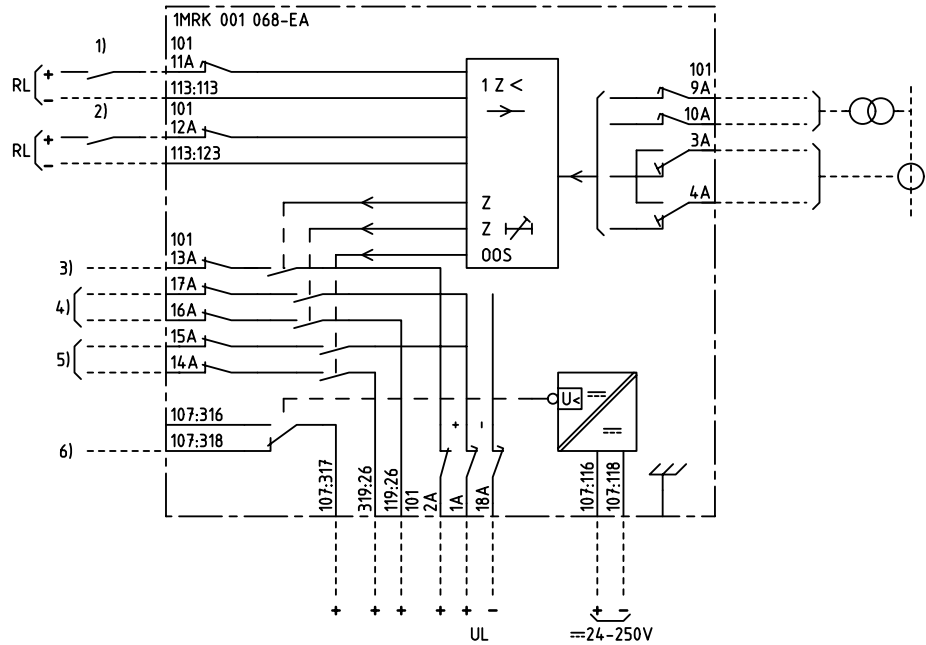


We reserve all rights in this document and in the information contained therein. Reproduction, use for other than intended purposes, or distribution without the written permission of ABB Network Partner AB is strictly forbidden.



1-PH UNDERIMPEDANCE PROTECTION  
 DELAYED  
 1-FAS UNDERIMPEDANSSKYDD  
 FÖRDRÖJT

- 1) TOTAL BLOCKING  
TOTAL BLOCKERING
- 2) RESETTING OF INDICATION  
ÅTERSTÄLLNING AV INDIKERING
- 3) UNDERIMPEDANCE, START  
UNDERIMPEDANS, START
- 4) UNDERIMPEDANCE, TRIPPING  
UNDERIMPEDANS, UTLÖSNING
- 5) OUT OF STEP, TRIPPING  
URFASFALL, UTLÖSNING
- 6) LOSS OF AUXILIARY VOLTAGE  
BORTFALL AV HJÄLPSPÄNNING

ELCAD ID PS/render		DATE 2004-06-2223:00		Issued in ARCADE	
Prepared 97-04-17 C-H EINVALL/JE		Approved 97-04-23 Peter Jenøker		TERMINAL DIAGRAM/UTTAGSSCHEMA	
Rev Ind		Revision		RAZK 231 1-PHASE UNDERIMPEDANCE PROT.	
Reg No 7411		Pct 890.557		RAZK 231 1-FAS UNDERIMPEDANSSKYDD	
Based on				Resp dep PS Rev ind 1 97.27 Lang 82	
				Sheet 1	
				Cont	

**ABB** ABB Network Partner AB

**1MRK 001 068-EAA**