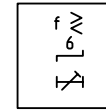
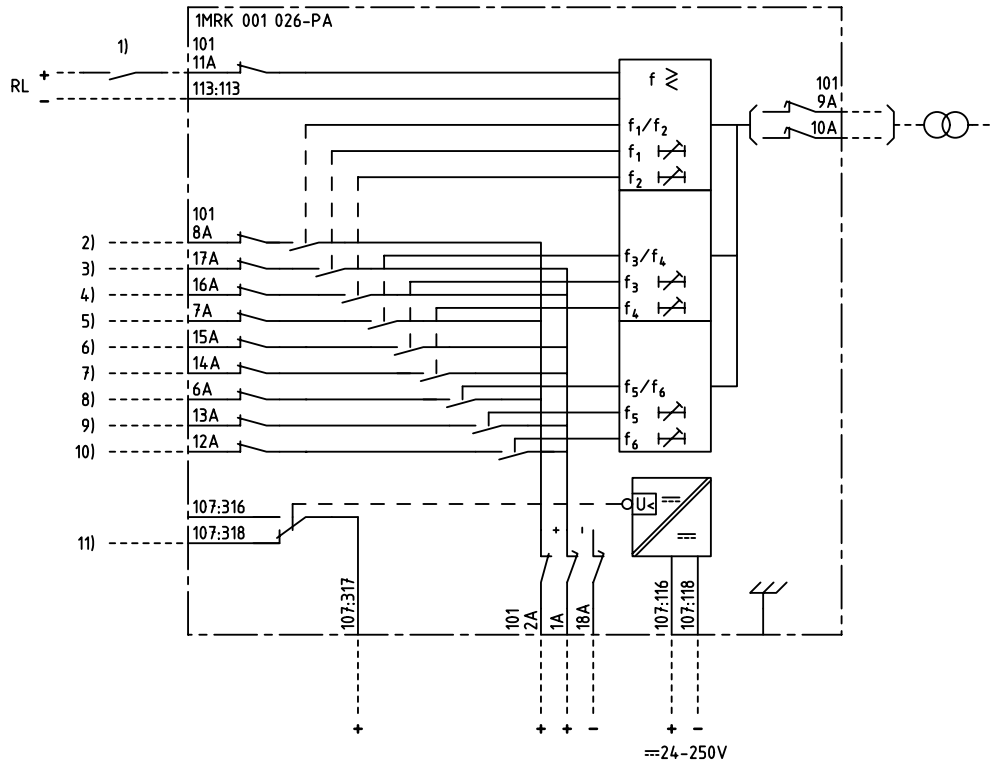


We reserve all rights in this document and in the information contained therein. Reproduction, use for other than intended purposes, or distribution without the written permission of ABB Network Partner AB is strictly forbidden.



OVER AND/OR UNDERFREQUENCY PROTECTION
ÖVER OCH/ELLER UNDERFREKVENSSKYDD

- 1) RESETTING OF INDICATION
ÅTERSTÄLLNING AV INDIKERING
- 2) START STAGE 1/STAGE 2
START STEG 1/STEG 2
- 3) TRIPPING STAGE 1
UTLÖSNING STEG 1
- 4) TRIPPING STAGE 2
UTLÖSNING STEG 2
- 5) START STAGE 3/STAGE 4
START STEG 3/STEG 4
- 6) TRIPPING STAGE 3
UTLÖSNING STEG 3
- 7) TRIPPING STAGE 4
UTLÖSNING STEG 4
- 8) START STAGE 5/STAGE 6
START STEG 5/STEG 6
- 9) TRIPPING STAGE 5
UTLÖSNING STEG 5
- 10) TRIPPING STAGE 6
UTLÖSNING STEG 6
- 11) LOSS OF AUXILIARY VOLTAGE
BORTFALL AV HJÄLPPSPÄNNING

ELCAD ID TPTD/render

DATE 2004-06-232:43

Issued in ARCADE

Prepared 96-07-04 C-H EINVALL/J ERIKSSON		TERMINAL DIAGRAM/UTTAGSSCHEMA	
Approved 96-08-28 Peter Jenøker		RAFK FREQUENCY PROTECTION	
		RAFK FREKVENSSKYDD	
Rev Ind	Revision	Reg No 7411	Resp dep TPTD
Based on	Pcl 890.546		Rev ind 1 97.05
		Lang en	
		Sheet 1	
		Cont	

ABB ABB Network Partner AB

1MRK 001 026-PAA