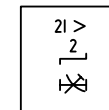
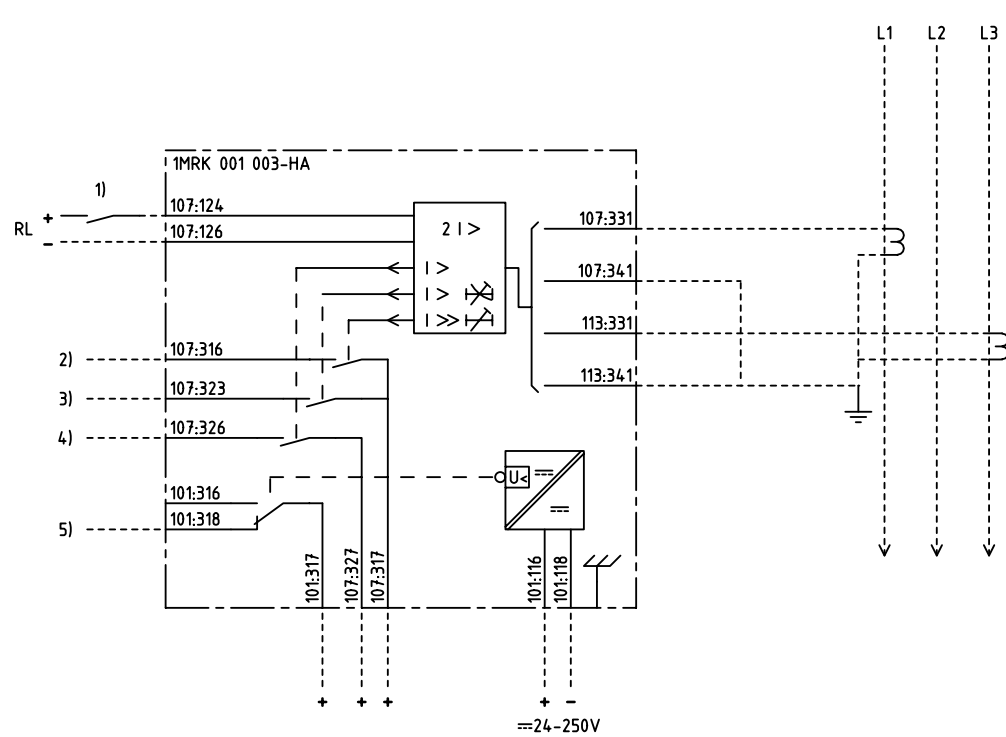
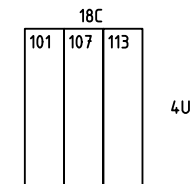


We reserve all rights in this document and in the information contained therein. Reproduction, use for other than intended purposes, or distribution without the written permission of ABB Network Partner AB is strictly forbidden.



2-PHASE OVERCURRENT PROTECTION
2-FAS ÖVERSTRÖMSKYDD



101 RXTUG 22H
107,113 RXIDK 2H

- 1) ENABLE, BLOCK OR INCREASED OP.VALUE
FRIGIVNING, BLOCKERING ELLER ÖKAT
FUNKTIONSVÄRDE
- 2) HIGH SET STAGE, TRIPPING
HÖGSTRÖMSSTEG, UTLÖSNING
- 3) LOW SET STAGE, TRIPPING
LÅGSTRÖMSSTEG, UTLÖSNING
- 4) LOW SET STAGE, START
LÅGSTRÖMSSTEG, START
- 5) LOSS OF AUXILIARY RELAY
BORTFALL AV HJÄLPPSPÄNNING

ELCAD ID PS/render

DATE 2004-06-221:40

Issued in ARCADE

Prepared 97-11-14 H RAZA/JE		TERMINAL DIAGRAM/UTTAGSSCHEMA		Resp dep PS		Rev ind -		Lang 82	
Approved 98-02-05 P JENÄKER		RAIDK 2 OVERCURRENT PROTECTION		M		M		M	
		RAIDK 2 ÖVERSTRÖMSKYDD		M		M		M	
Rev Ind	Revision	Reg No	7411	ABB ABB Network Partner AB		1MRK 001 003-HAA		Sheet	1
Based on		Pcl	890 474					Cont	