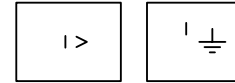
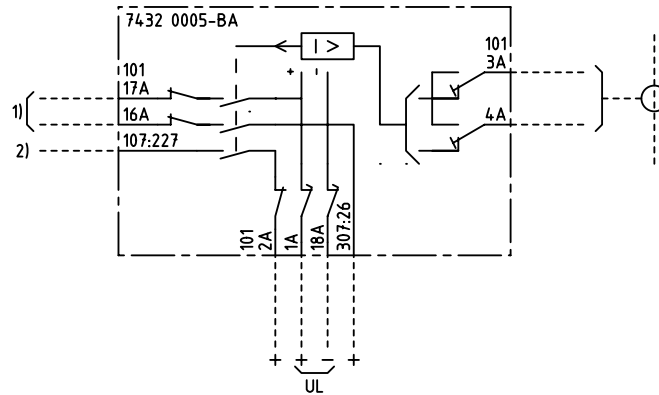


We reserve all rights in this document and in the information contained therein. Reproduction, use for other purposes or distribution without the written consent of ABB Network Partner AB is strictly forbidden.



EARTH-FAULT OR 1-PHASE
 OVERCURRENT PROTECTION
 INSTANTANEOUS
 JORDFELS- ELLER 1-FAS
 ÖVERSTRÖMSSKYDD, MOMENTANT

- 1) TRIPPING ETC.
UTLÖSNING M.M.
- 2) ALARM ETC.
SIGNAL M.M.

ELCAD ID PAT/render

DATE 2004-06-224:52

Issued in ARCADE

		Prepared 81 45	C-H EINVALL	TERMINAL DIAGRAM/UTTAGSSCHEMA			
		Approved 81 45	P JENÄKER	OVERCURRENT PROTECTION			
				ÖVERSTRÖMSSKYDD		Resp dep PAT	Rev Ind 2 96 45
Rev Ind	Revision	Reg No 7432			7432 0005-BAA		Lang 82
Based on		Pcl 890.651			ABB Network Partner AB		Sheet 1
						Cont	