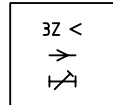
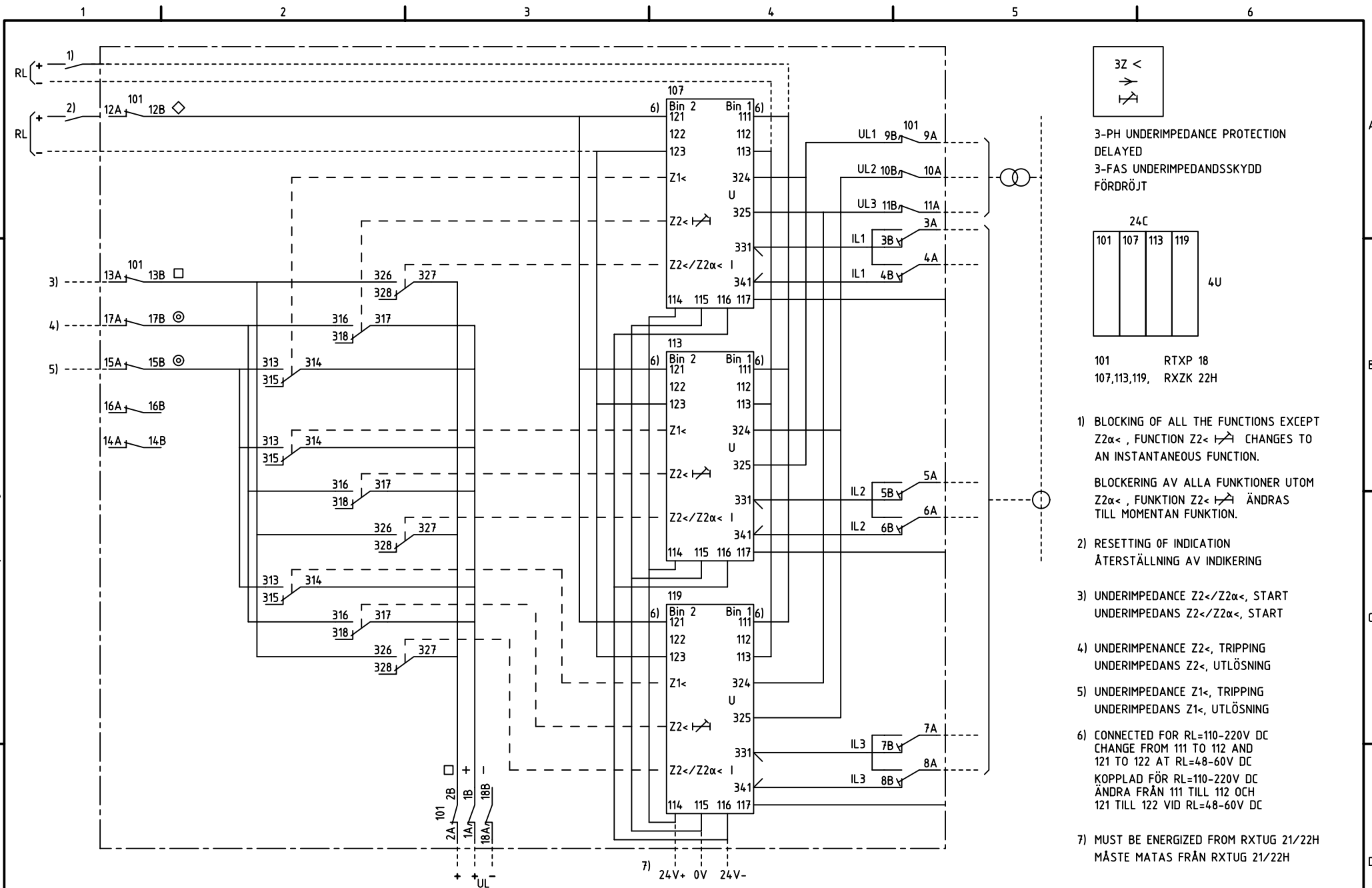
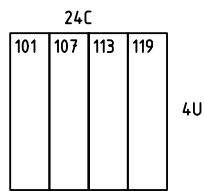


We reserve all rights in this document and in the information contained therein. Reproductions, use for other than intended purposes or in any manner is strictly forbidden. © ABB Network Partner AB



3-PH UNDERIMPEDANCE PROTECTION  
 DELAYED  
 3-FAS UNDERIMPEDANSSKYDD  
 FÖRDRÖJT



101 RTXP 18  
 107,113,119, RXZK 22H

- 1) BLOCKING OF ALL THE FUNCTIONS EXCEPT Z2α<, FUNCTION Z2< CHANGES TO AN INSTANTANEOUS FUNCTION.  
 BLOCKERING AV ALLA FUNKTIONER UTOM Z2α<, FUNKTION Z2< ÄNDRAS TILL MOMENTAN FUNKTION.
- 2) RESETTING OF INDICATION  
 ÅTERSTÄLLNING AV INDIKERING
- 3) UNDERIMPEDANCE Z2</Z2α<, START UNDERIMPEDANS Z2</Z2α<, START
- 4) UNDERIMPEDANCE Z2<, TRIPPING UNDERIMPEDANS Z2<, UTLÖSNING
- 5) UNDERIMPEDANCE Z1<, TRIPPING UNDERIMPEDANS Z1<, UTLÖSNING
- 6) CONNECTED FOR RL=110-220V DC CHANGE FROM 111 TO 112 AND 121 TO 122 AT RL=48-60V DC  
 KOPPLAD FÖR RL=110-220V DC ÄNDRA FRÅN 111 TILL 112 OCH 121 TILL 122 VID RL=48-60V DC
- 7) MUST BE ENERGIZED FROM RXTUG 21/22H  
 MÅSTE MATAS FRÅN RXTUG 21/22H

ELCAD ID PS/render		DATE 2004-06-224:01		1MRK 001 064-NA		Issued in ARCADE	
		Prepared 96-10-24 H Raza/L Bergman		CIRCUIT DIAGRAM/KRETSSCHEMA			
		Approved 97-06-12 P Jenåker		RAZK 223 3-PHASE UNDERIMPEDANCE PROT.			
				RAZK 223 3-FAS UNDERIMPEDANSSKYDD			
Rev Ind	Revision	Reg No	7411	Resp dep PS		Rev ind	1 97.45
Based on		Pcl	890.557	Lang		82	
				<b>ABB</b> ABB Network Partner AB		<b>1MRK 001 065-NA</b>	
						Sheet	1
						Cont	